



**Main**

Range of product	Modicon Quantum automation platform
Product or component type	Analogue input module
Type of filter	Single pole low pass - 3 dB at 15 Hz +/- 20 %

**Complementary**

Analogue input number	8
Input type	Differential
Addressing requirement	9 input words
Analogue input resolution	12 bits
Linear measuring range	1...5 V 4...20 mA
Absolute maximum input	25 mA 50 V DC
Input impedance	> 20 MOhm voltage 250 Ohm current +/- 0.01 %
Absolute accuracy error	+/- 0.05 % of full scale +/- 0.1 % of full scale maximum
Linearity error	+/- 0.04 %
Accuracy drift according to temperature	+/- 0.0025 % of full scale/°C <= 0.005 % of full scale/°C
Common mode rejection	> -72 dB 60 Hz
Isolation between channels and bus	1000 V DC 3000 V DC for 60 s
Isolation between channels	30 V DC
Update time	5 ms
Fault type	Broken wire 4...20 mA Undervoltage range 1...5 V
Marking	CE
Local signalling	1 LED green bus communication is present (Active) 1 LED red external fault

140ACI03000C

	8 LEDs green channel is turned on 8 LEDs red channel fault
Bus current requirement	240 mA
Power dissipation in W	2 W
Module format	Standard
Product weight	0.3 kg

## Environment

Protective treatment	Conformal coating Humiseal 1A33
Standards	UL 508 CSA C22.2 No 142
Product certifications	FM Class 1 Division 2 CUL
Resistance to electrostatic discharge	4 kV contact conforming to IEC 801-2 8 kV on air conforming to IEC 801-2
Resistance to electromagnetic fields	10 V/m 80...1000 MHz conforming to IEC 801-3
Ambient air temperature for operation	0...60 °C
Ambient air temperature for storage	-40...85 °C
Relative humidity	95 % without condensation
Operating altitude	<= 5000 m

## Offer Sustainability

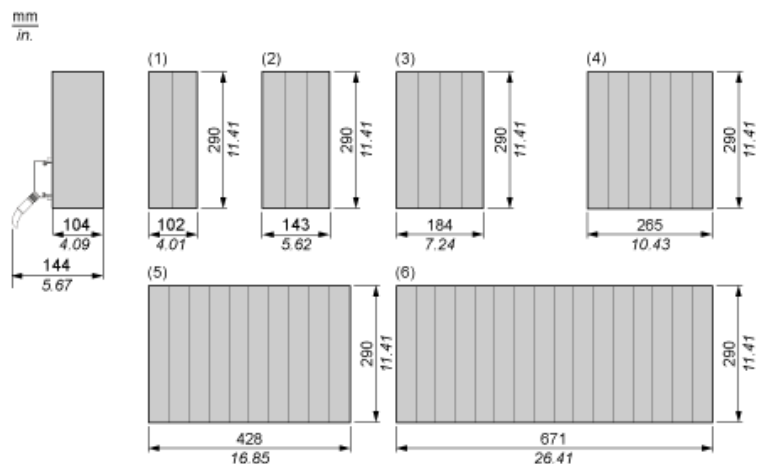
Sustainable offer status	Green Premium product
RoHS (date code: YYWW)	Compliant - since 0852 - Schneider Electric declaration of conformity <a href="#">Schneider Electric declaration of conformity</a>
REACH	Reference not containing SVHC above the threshold <a href="#">Reference not containing SVHC above the threshold</a>
Product environmental profile	Available <a href="#">End of life manual</a>
Product end of life instructions	Available

## Contractual warranty

Warranty period	18 months
-----------------	-----------

Racks for Modules Mounting

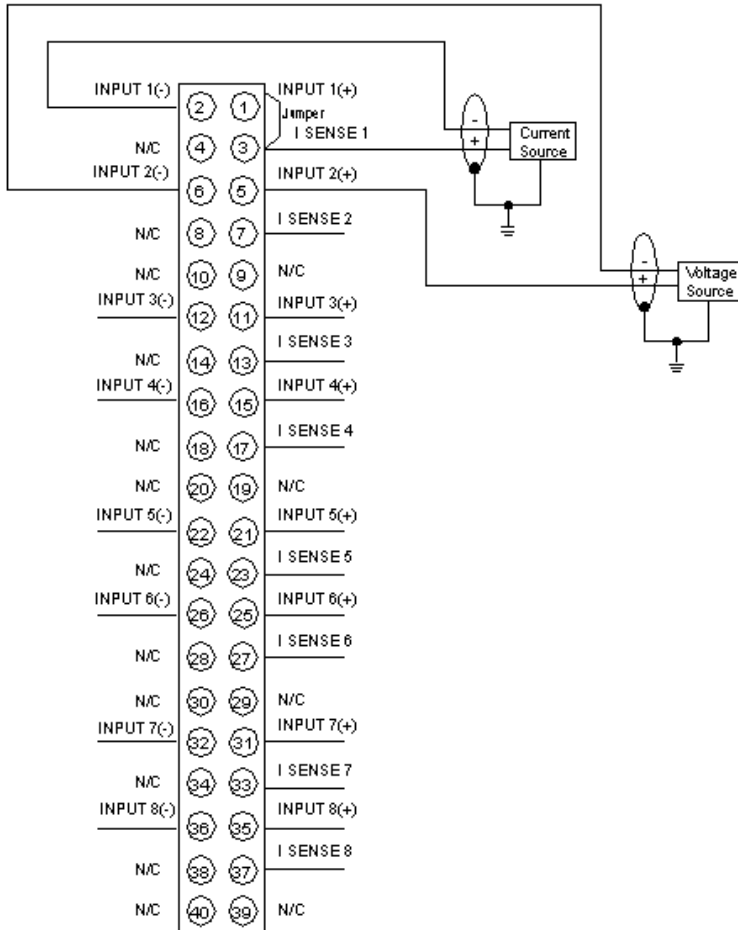
Dimensions of Modules and Racks



- (1) 2 slots
- (2) 3 slots
- (3) 4 slots
- (4) 6 slots
- (5) 10 slots
- (6) 16 slots

Analog Input 8-Channel Unipolar Module

Wiring Diagram



N/C Not Connected

The maximum channel to channel working voltage cannot exceed 30 Vdc.