



Main

Range of product	Modicon Quantum automation platform
Product or component type	Analogue input module
Type of filter	Single pole low pass - 3 dB at 34 Hz +/- 25 %

Complementary

Analogue input number	16
Input type	Differential
Addressing requirement	17 input words
Analogue input resolution	0...16000 counts 4...20 mA 0...20000 counts 0...20 mA 0...25000 counts 0...25 mA 0...4095 counts 4...20 mA
Absolute maximum input	30 mA
Input impedance	250 Ohm
Absolute accuracy error	+/- 0.125 % of full scale
Linearity error	+/- 12 µA max 4...20 mA +/- 6 µA max 0...20 mA +/- 6 µA max 0...25 mA +/- 6 µA max 4...20 mA
Accuracy drift according to temperature	+/- 0.0025 % of full scale/°C <= 0.0050 % of full scale /°C
Common mode rejection	> -90 dB 60 Hz
Isolation between channels and bus	1780 V AC for 60 s
Update time	15 ms 2 wires/4 wires
Fault type	Broken wire 4...20 mA
Marking	CE
Local signalling	1 LED green bus communication is present (Active) 1 LED red external fault 16 LEDs green channel is turned on 16 LEDs red channel fault

Disclaimer: This documentation is not intended as a substitute for and is not to be used for determining suitability or reliability of these products for specific user applications

Bus current requirement	360 mA
Power dissipation in W	5 W
Module format	Standard
Product weight	0.3 kg

Environment

Protective treatment	Conformal coating Humiseal 1A33
Standards	CSA C22.2 No 142 UL 508
Product certifications	CUL FM Class 1 Division 2
Resistance to electrostatic discharge	4 kV contact conforming to IEC 801-2 8 kV on air conforming to IEC 801-2
Resistance to electromagnetic fields	10 V/m 80...1000 MHz conforming to IEC 801-3
Ambient air temperature for operation	0...60 °C
Ambient air temperature for storage	-40...85 °C
Relative humidity	95 % without condensation
Operating altitude	<= 5000 m

Offer Sustainability

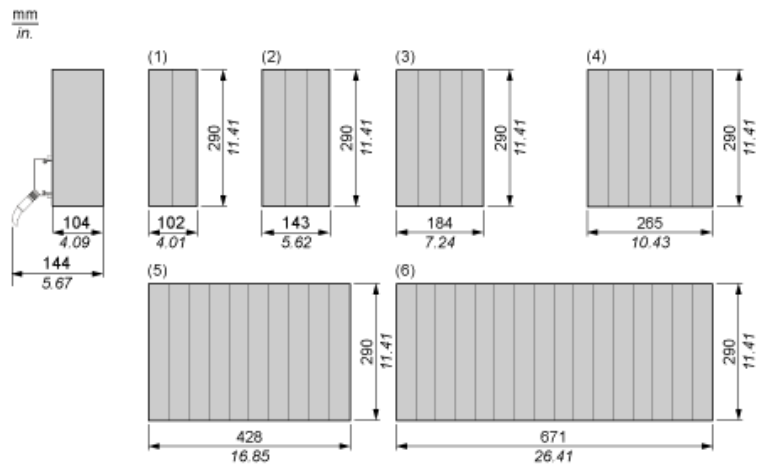
Sustainable offer status	Green Premium product
RoHS (date code: YYWW)	Compliant - since 0825 - Schneider Electric declaration of conformity Schneider Electric declaration of conformity
REACH	Reference not containing SVHC above the threshold Reference not containing SVHC above the threshold
Product environmental profile	Available End of life manual
Product end of life instructions	Available

Contractual warranty

Warranty period	18 months
-----------------	-----------

Racks for Modules Mounting

Dimensions of Modules and Racks

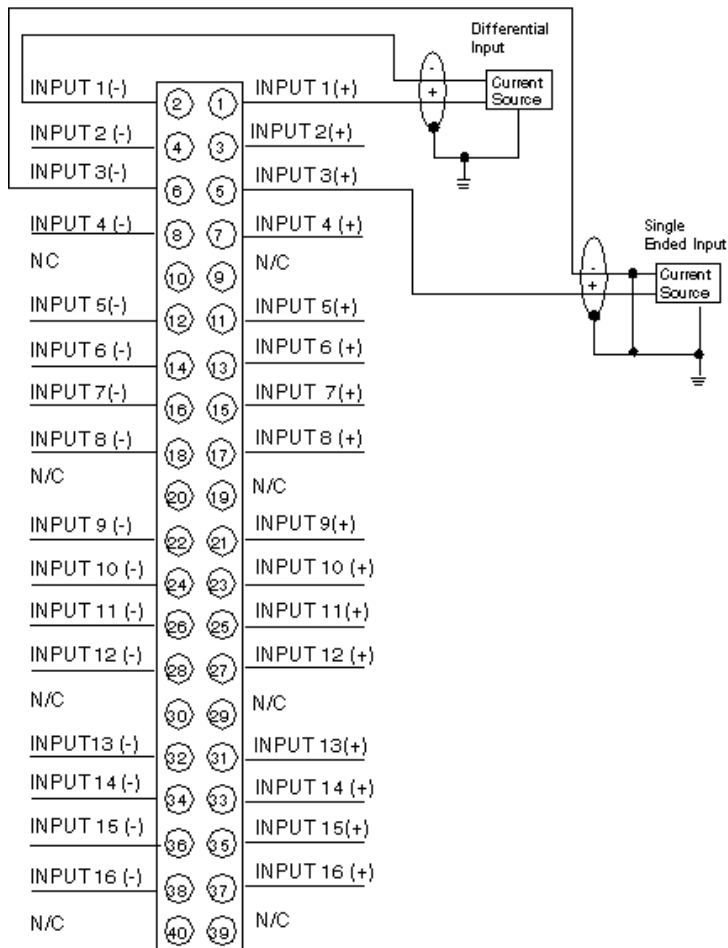


- (1) 2 slots
- (2) 3 slots
- (3) 4 slots
- (4) 6 slots
- (5) 10 slots
- (6) 16 slots

140ACI04000C

High Density Analog Input Module (16-Channel)

Wiring Diagram



N/C Not Connected

The maximum channel to channel working voltage cannot exceed 30 Vdc.