



Main

Range of product	Modicon Quantum automation platform
Product or component type	Analogue output module

Complementary

Analogue output number	4
Addressing requirement	4 output words
Loop voltage	12...30 V DC
Voltage drop	30 V 20 mA
Analogue output range	4...20 mA 0...4096 counts, 12 bits bipolar current
Absolute accuracy error	+/- 0.20 % of full scale at 25 °C
Linearity	+/- 1 LSB
Accuracy drift according to temperature	+/- 0.004 % of full scale/°C +/- 0.007 % of full scale/°C maximum
Isolation between channels	500 V 47...63 Hz AC 750 V for 1 minute DC
Update time	3 ms
Setting time	900 µs to +/- 0.1 % of the final value
Fault type	Open circuit 4...20 mA
Bus current requirement	480 mA
Power dissipation in W	<= 5.3 W
External power requirement	12...30 V
Marking	CE
Local signalling	4 LEDs green channel is turned on 4 LEDs red channel fault 1 LED green bus communication is present (Active) 1 LED red external fault
Module format	Standard
Product weight	0.3 kg

Disclaimer: This documentation is not intended as a substitute for and is not to be used for determining suitability or reliability of these products for specific user applications

Environment

Protective treatment	Conformal coating Humiseal 1A33
Product certifications	FM Class 1 Division 2 CUL
Standards	UL 508 CSA C22.2 No 142
Resistance to electromagnetic fields	10 V/m 80...2000 MHz conforming to IEC 801-3
Ambient air temperature for operation	0...60 °C
Ambient air temperature for storage	-40...85 °C
Relative humidity	95 % without condensation
Operating altitude	<= 5000 m

Offer Sustainability

Sustainable offer status	Green Premium product
RoHS (date code: YYWW)	Compliant - since 0806 - Schneider Electric declaration of conformity Schneider Electric declaration of conformity
REACH	Reference not containing SVHC above the threshold Reference not containing SVHC above the threshold
Product environmental profile	Available End of life manual
Product end of life instructions	Available

Contractual warranty

Warranty period	18 months
-----------------	-----------

Racks for Modules Mounting

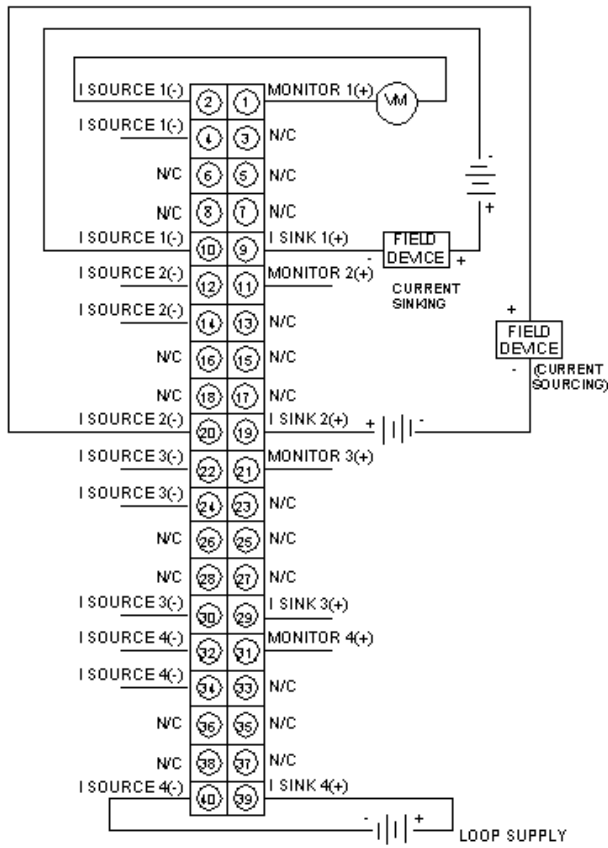
Dimensions of Modules and Racks



- (1) 2 slots
- (2) 3 slots
- (3) 4 slots
- (4) 6 slots
- (5) 10 slots
- (6) 16 slots

Analog Output 4-Channel Current Module

Wiring Diagram



N/C Not Connected