



### Main

Range of product	Modicon Quantum automation platform
Product or component type	Analogue input module
Type of filter	Single pole low pass - 3 dB at 847 Hz +/- 20 %

### Complementary

Analogue input number	8
Input type	Differential
Addressing requirement	9 input words
Analogue input type	Bipolar current 20 mA Bipolar voltage +/- 10 V Bipolar voltage +/- 5 V Unipolar current 0...20 mA Unipolar voltage 0...10 V Unipolar voltage 0...5 V
Analogue input resolution	16 bits +/- 10 V 16 bits +/- 5 V 16 bits 0...10 V 16 bits 0...20 mA 16 bits 0...5 V 16 bits 20 mA
Linear measuring range	(Input range) x 1.024 V (Input range) x 1.024 mA
Absolute maximum input	25 mA 50 V DC
Input impedance	> 20 Ohm voltage 250 MOhm +/- 0.03 %
Absolute accuracy error	+/- 0.03 % +/- 0.05 % of full scale maximum
Linearity error	+/- 0.008 %
Accuracy drift according to temperature	+/- 0.0015 % of full scale/°C <= 0.004 % of full scale /°C
Common mode rejection	> -80 dB 60 Hz

140AVI03000C

Isolation between channels and bus	500 Vrms AC for 60 s 750 V DC
Isolation between channels	135 Vrms AC 200 V DC
Update time	10 ms
Fault type	Broken wire 4...20 mA Overtaking scale 1...5 V
Marking	CE
Local signalling	1 LED green bus communication is present (Active) 1 LED red external fault 8 LEDs green channel is turned on 8 LEDs red channel fault
Bus current requirement	280 mA
Power dissipation in W	2.2 W
Module format	Standard
Product weight	0.3 kg

## Environment

Protective treatment	Conformal coating Humiseal 1A33
Standards	CSA C22.2 No 142 UL 508
Product certifications	CUL FM Class 1 Division 2
Resistance to electrostatic discharge	4 kV contact conforming to IEC 801-2 8 kV on air conforming to IEC 801-2
Resistance to electromagnetic fields	10 V/m 80...1000 MHz conforming to IEC 801-3
Ambient air temperature for operation	0...60 °C
Ambient air temperature for storage	-40...85 °C
Relative humidity	95 % without condensation
Operating altitude	<= 5000 m

## Offer Sustainability

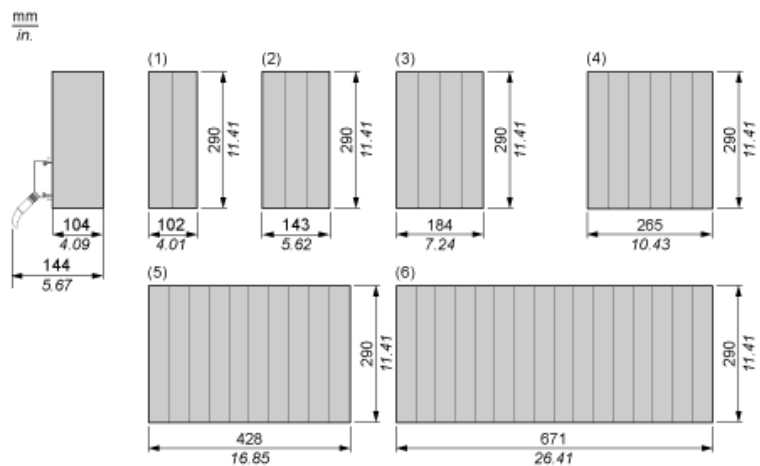
Sustainable offer status	Green Premium product
RoHS (date code: YYWW)	Compliant - since 0951 - Schneider Electric declaration of conformity <a href="#">Schneider Electric declaration of conformity</a>
REACH	Reference not containing SVHC above the threshold <a href="#">Reference not containing SVHC above the threshold</a>
Product environmental profile	Available <a href="#">End of life manual</a>
Product end of life instructions	Available

## Contractual warranty

Warranty period	18 months
-----------------	-----------

Racks for Modules Mounting

Dimensions of Modules and Racks

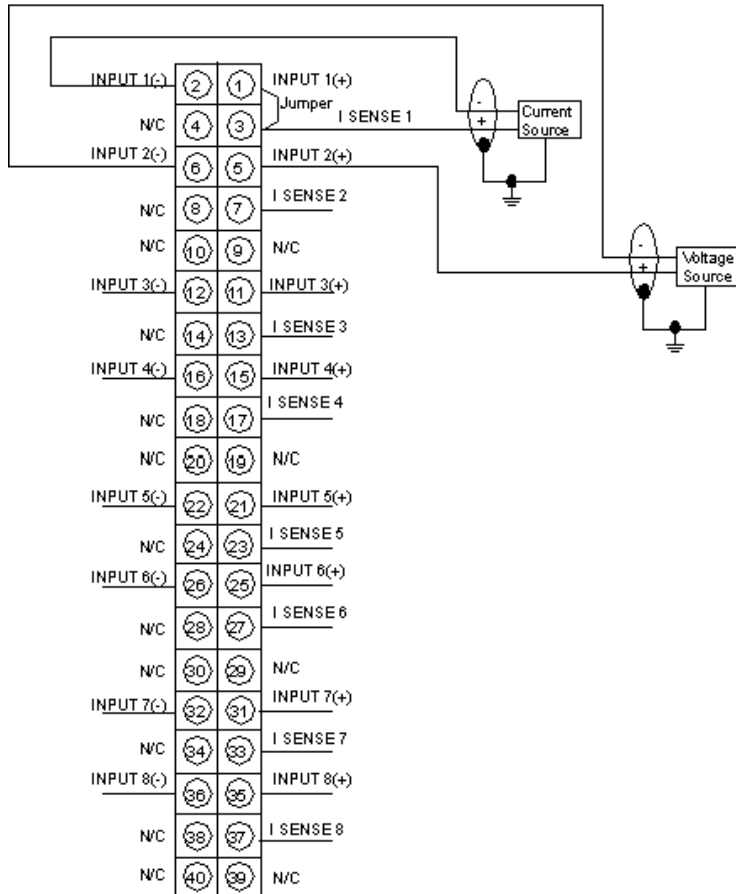


- (1) 2 slots
- (2) 3 slots
- (3) 4 slots
- (4) 6 slots
- (5) 10 slots
- (6) 16 slots

140AVI03000C

Analog Input 8-Channel Bipolar Module

Wiring Diagram



N/C Not Connected