



Main

Range of product	Modicon Quantum automation platform
Product or component type	VAC discrete input modules
Software name	Concept ProWORX 32 Unity Pro
Discrete input number	32

Complementary

Group of channels	4
Addressing requirement	2 input words
Discrete input voltage	24 V AC
Input current	<= 11.1 mA 57...63 Hz <= 13.2 mA 47...53 Hz
Voltage state 1 guaranteed	12...30 V AC at 57...63 Hz 14...30 V AC at 47...53 Hz
Voltage state 0 guaranteed	0...5 V at 57...63 Hz 0...5 V at 47...53 Hz
Input impedance	2600 Ohm capacitive at 57...63 Hz 3100 Ohm capacitive at 47...53 Hz
Network frequency limits	47...63 Hz
Leakage current	<= 1.9 mA
Absolute maximum input	30 V continuous 32 V 10 s 50 V 1 cycle
Response time	4.9...0.75 ms x line cycle Off-On 7.3...12.3 ms On-Off
Isolation between group	1780 Vrms for 1 minute
Isolation between group and bus	1780 Vrms for 1 minute
Bus current requirement	250 mA
Power dissipation in W	<= 10.9 W
Local signalling	1 LED green bus communication is present (Active) 1 LED red external fault detected (F) 32 LEDs green input status
Marking	CE

Disclaimer: This documentation is not intended as a substitute for and is not to be used for determining suitability or reliability of these products for specific user applications

Module format	Standard
Product weight	0.34 kg

Environment

Protective treatment	Conformal coating Humiseal 1A33
Standards	CSA C22.2 No 142 UL 508
Product certifications	CUL FM Class 1 Division 2
Resistance to electrostatic discharge	4 kV contact conforming to IEC 801-2 8 kV on air conforming to IEC 801-2
Resistance to electromagnetic fields	10 V/m 80...2000 MHz conforming to IEC 801-3
Ambient air temperature for operation	0...60 °C
Ambient air temperature for storage	-40...85 °C
Relative humidity	95 % without condensation
Operating altitude	<= 5000 m

Contractual warranty

Warranty period	18 months
-----------------	-----------

Racks for Modules Mounting

Dimensions of Modules and Racks

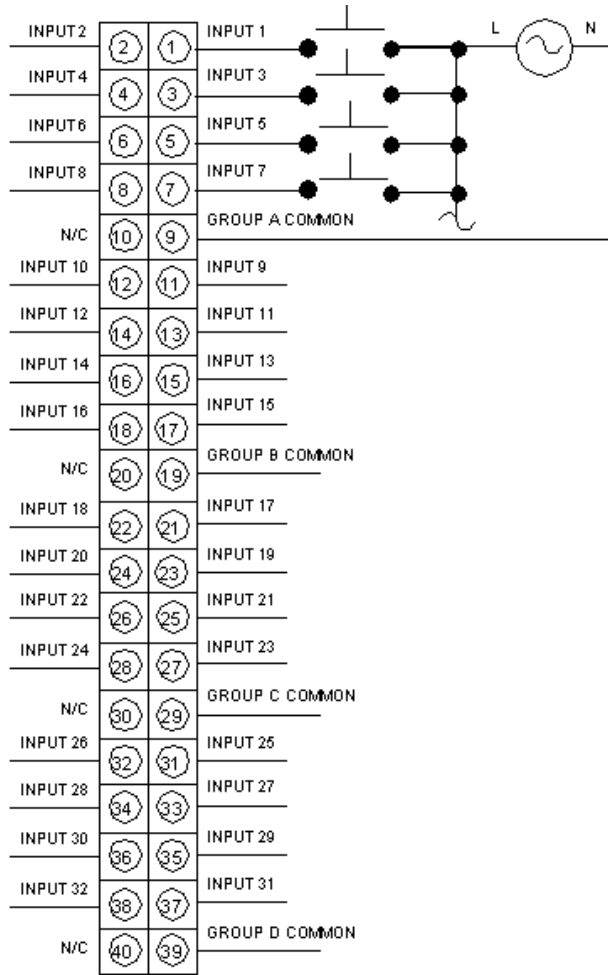


- (1) 2 slots
- (2) 3 slots
- (3) 4 slots
- (4) 6 slots
- (5) 10 slots
- (6) 16 slots

140DAI35300C

24 Vac Discrete Input Module

Wiring Diagram



N/C Not Connected