



### Main

Range of product	Modicon Quantum automation platform
Product or component type	VAC discrete input modules
Software name	Concept ProWORX 32 Unity Pro
Discrete input number	32

### Complementary

Group of channels	4
Addressing requirement	2 input words
Discrete input voltage	230 V AC
Input current	<= 11.5 mA 57...63 Hz <= 9.7 mA 47...53 Hz
Voltage state 1 guaranteed	165...264 V AC at 57...63 Hz 175...264 V AC at 47...53 Hz
Voltage state 0 guaranteed	0...40 V AC at 57...63 Hz 0...40 V AC at 47...53 Hz
Input impedance	26500 Ohm capacitive at 57...63 Hz 31800 Ohm capacitive at 47...53 Hz
Network frequency limits	47...63 Hz
Leakage current	<= 2.6 mA
Absolute maximum input	264 V continuous 312 V 10 s 400 V 1 cycle
Response time	4.9...0.75 ms x line cycle Off-On 7.3...12.3 ms On-Off
Isolation between group	1780 Vrms for 1 minute
Isolation between group and bus	1780 Vrms for 1 minute
Bus current requirement	250 mA
Power dissipation in W	<= 5 W
Local signalling	1 LED green bus communication is present (Active) 1 LED red external fault detected (F) 32 LEDs green input status
Marking	CE

Disclaimer: This documentation is not intended as a substitute for and is not to be used for determining suitability or reliability of these products for specific user applications

Module format	Standard
Product weight	0.3 kg

## Environment

Protective treatment	Conformal coating Humiseal 1A33
Standards	CSA C22.2 No 142 UL 508
Product certifications	FM Class 1 Division 2 CUL
Resistance to electrostatic discharge	4 kV contact conforming to IEC 801-2 8 kV on air conforming to IEC 801-2
Resistance to electromagnetic fields	10 V/m 80...2000 MHz conforming to IEC 801-3
Ambient air temperature for operation	0...60 °C
Ambient air temperature for storage	-40...85 °C
Relative humidity	95 % without condensation
Operating altitude	<= 5000 m

## Contractual warranty

Warranty period	18 months
-----------------	-----------

Racks for Modules Mounting

Dimensions of Modules and Racks

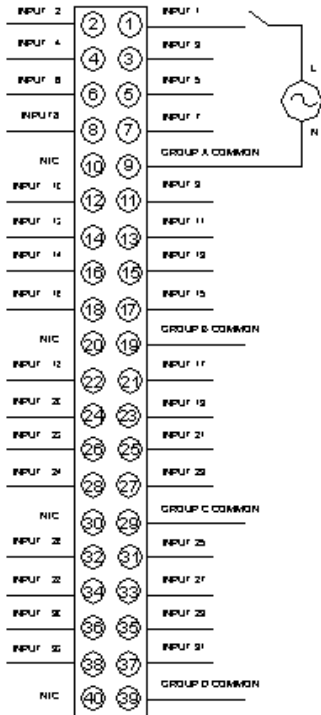


- (1) 2 slots
- (2) 3 slots
- (3) 4 slots
- (4) 6 slots
- (5) 10 slots
- (6) 16 slots

140DAI75300C

230 Vac Discrete Input Module

Wiring Diagram



N/C Not Connected