



Main

Range of product	Modicon Quantum automation platform
Product or component type	Mixed discrete I/O module
Discrete I/O number	24

Complementary

Discrete input number	16 2 groups of 8
Addressing requirement	1 input word 0.5 output word
Network frequency limits	47...63 Hz
Discrete input voltage	115 V AC
Input voltage limits	200 V during one cycle 132 V typical 156 V during 10 s
Voltage state 0 guaranteed	0...20 V
Voltage state 1 guaranteed	79...132 V 60 Hz 85...132 V 50 Hz
Current state 0 guaranteed	<= 0.5 mA
Current state 1 guaranteed	<= 11 mA 50 Hz <= 13.2 mA 60 Hz
Input impedance	14400 Ohm capacitive
Response time	4.9...0.75 ms at state 0 to state 1 7.3...12.3 ms at state 1 to state 0
Discrete output number	8 2 groups of 4
Discrete output type	Solid state
Discrete output voltage	115 V
Output voltage limits	156 V AC during 10 s 200 V AC during 1 cycle 85...132 V typical AC typical
Minimum load	5 mA
Maximum load current	<= 4 A per point

140DAM59000

	<= 8 A per group <= 8 A per module
Voltage drop	1.5 V
Absolute maximum output	20 A 2 cycles per point 26 A 3 cycles per group 30 A 1 cycle per point 30 A 2 cycles per group 45 A 1 cycle per group 10 A 3 cycles per point
DV/Dt	400 V/μs
Leakage current	<= 2 mA output circuit 2.1 mA 115 V AC input circuit
Response time on output	<= 0.5 ms at state 0 to state 1 <= 0.5 ms at state 1 to state 0
Protection type	On output by RC filter Internal output protection by 5 A fuse per group
Isolation between group	1000 Vrms for 1 minute
Isolation between channels and bus	1780 Vrms for 1 minute
Fault indication	Blown fuse on output Loss of field power on output
Power dissipation	5.5 W + (1.1 x total module load current)
External power requirement	85...132 V AC for output circuit
Local signalling	1 LED green bus communication is present (Active) 1 LED red no voltage in output and input (F) 2 LEDs green output is turned on 2 LEDs red fault detected on the input point 2 LEDs red fault detected on the output point
Marking	CE
Bus current requirement	250 mA
Product weight	0.45 kg

Environment

Resistance to electrostatic discharge	4 kV contact conforming to IEC 801-2 8 kV on air conforming to IEC 801-2
Resistance to electromagnetic fields	10 V/m 80...1000 MHz conforming to IEC 801-3
Ambient air temperature for operation	0...60 °C
Ambient air temperature for storage	-40...85 °C
Relative humidity	95 % without condensation
Operating altitude	<= 5000 m
Standards	CSA C22.2 No 142 FM Class 1 Division 2 UL 508
Product certifications	CUL

Offer Sustainability

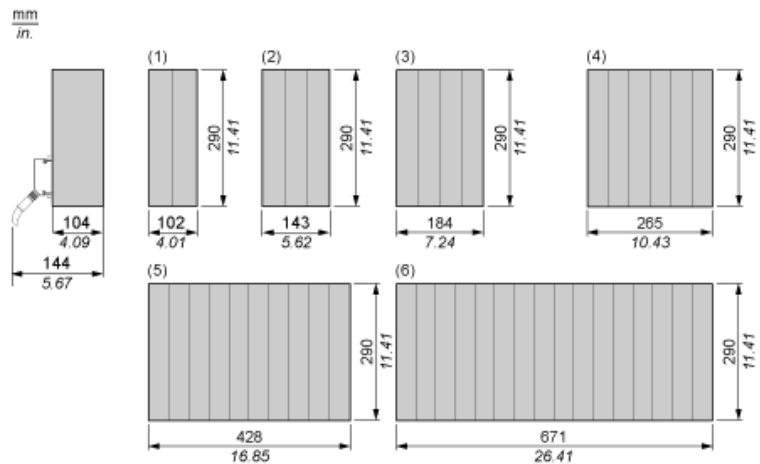
Sustainable offer status	Green Premium product
RoHS (date code: YYWW)	Compliant - since 0901 - Schneider Electric declaration of conformity Schneider Electric declaration of conformity
REACH	Reference not containing SVHC above the threshold Reference not containing SVHC above the threshold
Product environmental profile	Available End of life manual
Product end of life instructions	Available

Contractual warranty

Warranty period	18 months
-----------------	-----------

Racks for Modules Mounting

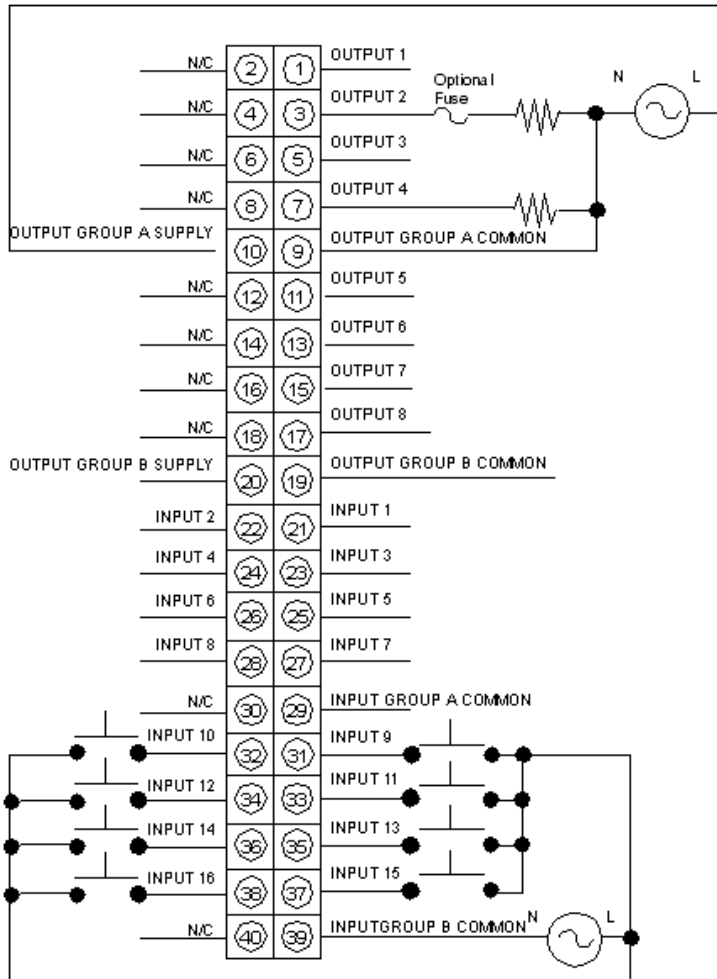
Dimensions of Modules and Racks



- (1) 2 slots
- (2) 3 slots
- (3) 4 slots
- (4) 6 slots
- (5) 10 slots
- (6) 16 slots

115 Vac Discrete Input/Output Module

Wiring Diagram



N/C Not Connected