



### Main

Range of product	Modicon Quantum automation platform
Product or component type	AC discrete output modules
Discrete output number	16

### Complementary

Group of channels	4 groups of 4 channels
Supply frequency	47...63 Hz
Voltage drop	1.5 V
Discrete output voltage	83...253 V AC
Addressing requirement	1 output word
Absolute maximum output	300 Vrms for 10 s AC 400 Vrms 1 cycle AC
Maximum load current	16 A rms per module 2 mA rms 115 Vrms off state leakage per output 2.5 mA rms 230 Vrms off state leakage per output 3 A rms 170...253 V per output 4 A rms 85...132 V per output 4 A rms per group
Surge current	<= 10 A during 3 cycles per point <= 20 A during 2 cycles per point <= 25 A during 3 cycles per group <= 30 A during 1 cycle per point <= 30 A during 2 cycles per group <= 45 A during 1 cycle per group
DV/Dt	400 V/ms
Response time	<= 0.5 ms at state 0 to state 1 <= 0.5 ms at state 1 to state 0
Fault indication	Blown fuse Loss of field power
Protection type	Internal by RC filter Internal output protection by 5 A fuse

140DAO84210

Disclaimer: This documentation is not intended as a substitute for and is not to be used for determining suitability or reliability of these products for specific user applications

Power dissipation	1.85 + (1.1 V x total module load current)
Marking	CE
Local signalling	1 LED green bus communication is present (Active) 1 LED red external fault detected (F) 16 LEDs green input status
Bus current requirement	350 mA
Module format	Standard
Product weight	0.45 kg

## Environment

Product certifications	CUL FM Class 1 Division 2
Standards	UL 508 CSA C22.2 No 142
Electromagnetic compatibility	Electrostatic discharge immunity test (test level:4 kV, contact discharge) conforming to IEC 801-2 Electrostatic discharge immunity test (test level:8 kV, air discharge) conforming to IEC 801-2 Susceptibility to electromagnetic fields (test level:10 V/m, 80...1000 MHz) conforming to IEC 801-3
Ambient air temperature for operation	0...60 °C
Ambient air temperature for storage	-40...85 °C
Relative humidity	95 % without condensation
Operating altitude	<= 5000 m

## Offer Sustainability

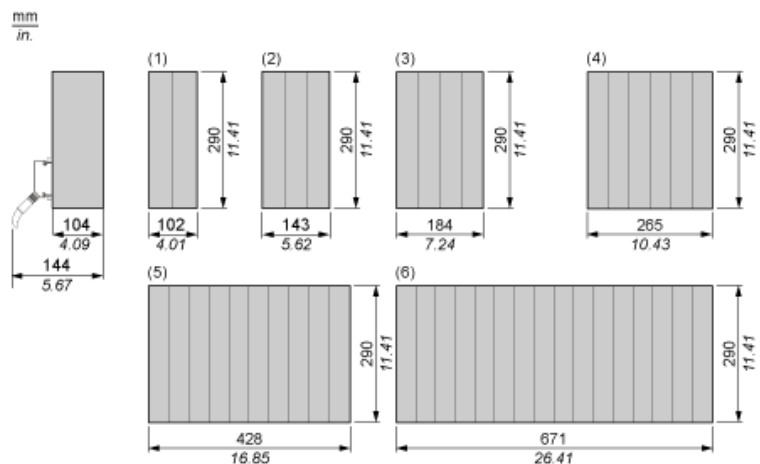
Sustainable offer status	Green Premium product
RoHS (date code: YYWW)	Compliant - since 1007 - Schneider Electric declaration of conformity <a href="#">Schneider Electric declaration of conformity</a>
REACH	Reference not containing SVHC above the threshold <a href="#">Reference not containing SVHC above the threshold</a>
Product environmental profile	Available <a href="#">End of life manual</a>
Product end of life instructions	Available

## Contractual warranty

Warranty period	18 months
-----------------	-----------

Racks for Modules Mounting

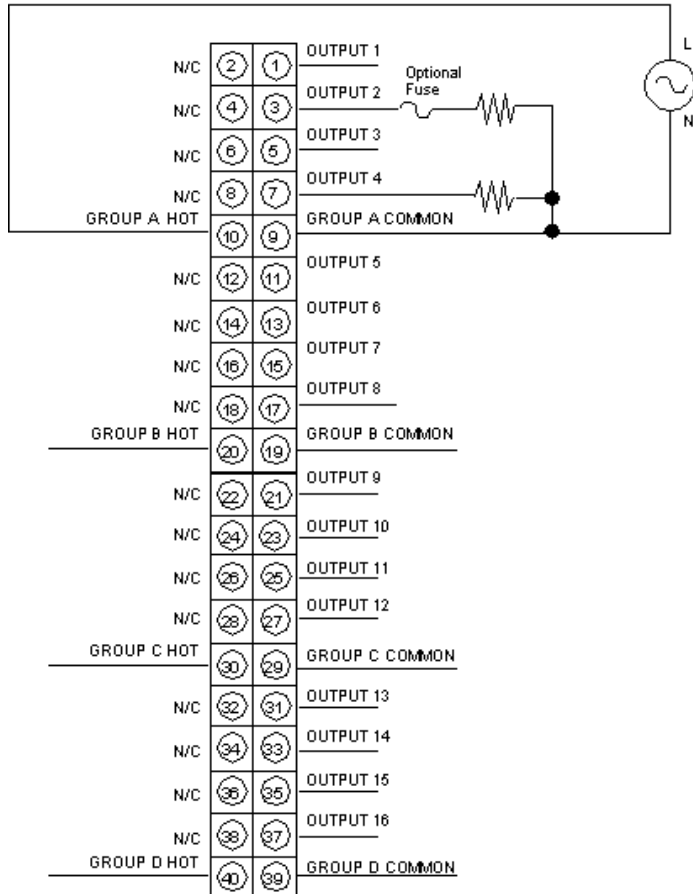
Dimensions of Modules and Racks



- (1) 2 slots
- (2) 3 slots
- (3) 4 slots
- (4) 6 slots
- (5) 10 slots
- (6) 16 slots

100...230 Vac Discrete Output Module

Wiring Diagram



N/C Not Connected