



### Main

Range of product	Modicon Quantum automation platform
Product or component type	AC discrete output modules
Discrete output number	16

### Complementary

Group of channels	4 groups of 4 channels
Supply frequency	47...63 Hz
Voltage drop	1.5 V
Discrete output voltage	20...56 V AC
Addressing requirement	1 output word
Absolute maximum output	100 Vrms 1 cycle AC 63 Vrms for 10 s AC 111 Vrms for 1.3 s AC
Maximum load current	4 A rms 20...56 V per output 16 A rms per module 4 A rms per group
Surge current	<= 25 A during 2 cycles per group <= 30 A during 3 cycles per group <= 45 A during 1 cycle per group
DV/Dt	400 V/ms
Response time	<= 0.5 ms at state 0 to state 1 <= 0.5 ms at state 1 to state 0
Fault indication	Loss of field power Blown fuse
Protection type	Internal output protection by 5 A fuse Internal by RC filter
Power dissipation	1.85 + (1.1 V x total module load current)
Marking	CE
Local signalling	1 LED green bus communication is present (Active) 1 LED red external fault detected (F) 16 LEDs green input status

Disclaimer: This documentation is not intended as a substitute for and is not to be used for determining suitability or reliability of these products for specific user applications

Bus current requirement	350 mA
Module format	Standard
Product weight	0.45 kg

## Environment

Product certifications	CUL FM Class 1 Division 2
Standards	CSA C22.2 No 142 UL 508
Electromagnetic compatibility	Electrostatic discharge immunity test (test level:4 kV, contact discharge) conforming to IEC 801-2 Electrostatic discharge immunity test (test level:8 kV, air discharge) conforming to IEC 801-2 Susceptibility to electromagnetic fields (test level:10 V/m, 80...1000 MHz) conforming to IEC 801-3
Ambient air temperature for operation	0...60 °C
Ambient air temperature for storage	-40...85 °C
Relative humidity	95 % without condensation
Operating altitude	<= 5000 m

## Offer Sustainability

Sustainable offer status	Green Premium product
RoHS (date code: YYWW)	Compliant - since 1005 - Schneider Electric declaration of conformity <a href="#">Schneider Electric declaration of conformity</a>
REACH	Reference not containing SVHC above the threshold <a href="#">Reference not containing SVHC above the threshold</a>
Product environmental profile	Available <a href="#">End of life manual</a>
Product end of life instructions	Available

## Contractual warranty

Warranty period	18 months
-----------------	-----------

Racks for Modules Mounting

Dimensions of Modules and Racks

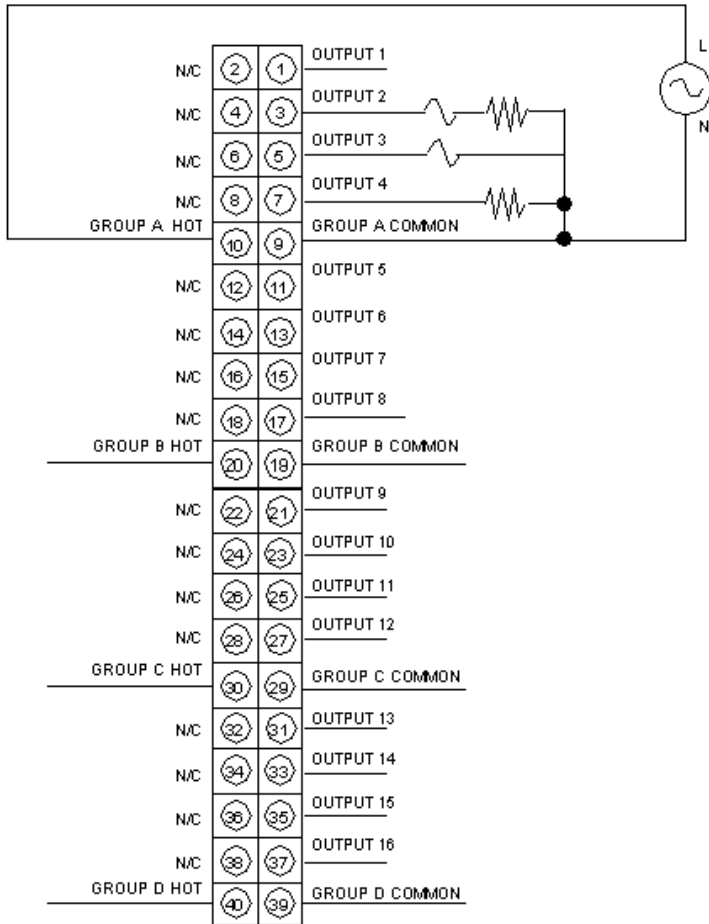


- (1) 2 slots
- (2) 3 slots
- (3) 4 slots
- (4) 6 slots
- (5) 10 slots
- (6) 16 slots

140DAO84220

24...48 Vac Discrete Output Module

Wiring Diagram



N/C Not Connected