



Main

Range of product	Modicon Quantum automation platform
Product or component type	AC discrete output modules
Discrete output number	32

Complementary

Group of channels	4 groups of 8 channels
Supply frequency	47...63 Hz
Voltage drop	1.5 V
Discrete output voltage	20...253 V AC
Addressing requirement	2 output words
Absolute maximum output	300 Vrms for 10 s AC 400 Vrms 1 cycle AC
Maximum load current	0.88 mA 230 V off state leakage per output 1 A rms 20...253 V per output 16 A rms per module 4 A rms per group
Surge current	≤ 2.5 A during 1 ms
DV/Dt	400 V/ms
Response time	≤ 0.5 ms at state 0 to state 1 ≤ 0.5 ms at state 1 to state 0
Protection type	Internal output protection by 4 A fuse Internal by RC filter
Power dissipation	$1.60 + (1.0 \text{ V} \times \text{total module load current})$
Marking	CE
Local signalling	1 LED green bus communication is present (Active) 1 LED red external fault detected (F) 32 LEDs green input status
Bus current requirement	320 mA
Module format	Standard
Product weight	0.45 kg

Disclaimer: This documentation is not intended as a substitute for and is not to be used for determining suitability or reliability of these products for specific user applications

Environment

Protective treatment	Conformal coating Humiseal 1A33
Product certifications	FM Class 1 Division 2 CUL
Standards	UL 508 CSA C22.2 No 142
Electromagnetic compatibility	Electrostatic discharge immunity test (test level:4 kV, contact discharge) conforming to IEC 801-2 Electrostatic discharge immunity test (test level:8 kV, air discharge) conforming to IEC 801-2 Susceptibility to electromagnetic fields (test level:10 V/m, 80...1000 MHz) conforming to IEC 801-3
Ambient air temperature for operation	0...60 °C
Ambient air temperature for storage	-40...85 °C
Relative humidity	95 % without condensation
Operating altitude	<= 5000 m

Offer Sustainability

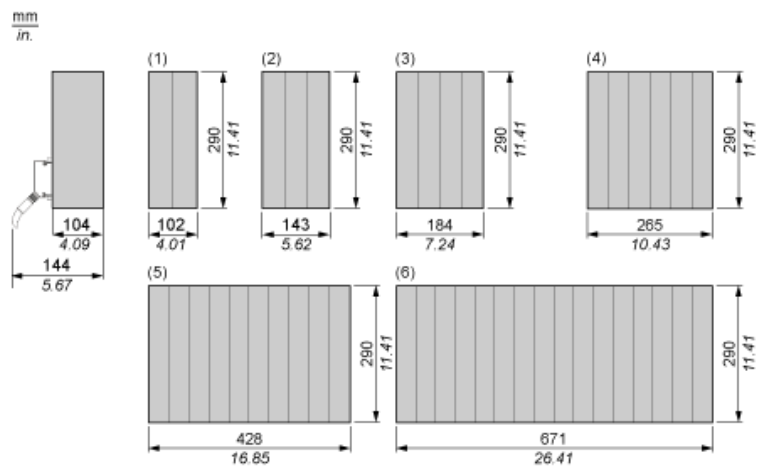
Sustainable offer status	Green Premium product
RoHS (date code: YYWW)	Compliant - since 0922 - Schneider Electric declaration of conformity Schneider Electric declaration of conformity
REACH	Reference not containing SVHC above the threshold Reference not containing SVHC above the threshold
Product environmental profile	Available End of life manual
Product end of life instructions	Available

Contractual warranty

Warranty period	18 months
-----------------	-----------

Racks for Modules Mounting

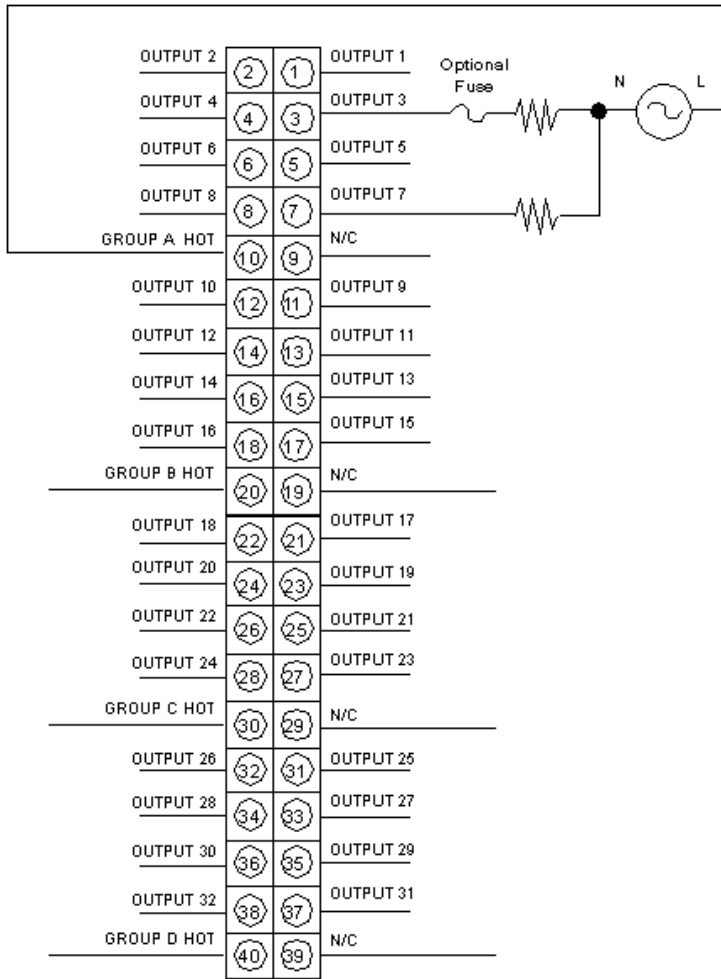
Dimensions of Modules and Racks



- (1) 2 slots
- (2) 3 slots
- (3) 4 slots
- (4) 6 slots
- (5) 10 slots
- (6) 16 slots

24...230 Vac Discrete Output Module

Wiring Diagram



N/C Not Connected