



### Main

Range of product	Modicon Quantum automation platform
Product or component type	Low voltage dc discrete input modules
Discrete input number	32

### Complementary

Group of channels	4
Logic input	Negative (source)
Discrete input voltage	5 V TTL DC
Input voltage limits	4.5...5.5 V
Voltage state 1 guaranteed	0.8 V DC
Voltage state 0 guaranteed	$\geq 4$ V DC at 5.5 V supply voltage
Current state 1 guaranteed	4 mA
Addressing requirement	2 input words
Input impedance	7500 Ohm
Leakage current	200 mA at $U_s = 5.5$ V and $U_{in} = 4$ V
Absolute maximum input	15 V during 1.3 ms decaying pulse 5.5 V continuous
Response time	$\leq 250$ $\mu$ s from state 0 to state 1 $\leq 500$ $\mu$ s from state 1 to state 0
Protection type	Input protection
Power dissipation	5 W
Isolation between group and bus	1780 Vrms for 1 minute
Isolation between group	500 Vrms for 1 minute
Local signalling	1 LED green bus communication is present (Active) 1 LED red external fault detected (F) 32 LEDs green input status
Marking	CE
Bus current requirement	170 mA

140DDI15310

Disclaimer: This documentation is not intended as a substitute for and is not to be used for determining suitability or reliability of these products for specific user applications

Module format	Standard
Product weight	0.45 kg

## Environment

Standards	UL 508 CSA C22.2 No 142
Product certifications	FM Class 1 Division 2 CUL GOST
Resistance to electrostatic discharge	4 kV contact conforming to IEC 801-2 8 kV on air conforming to IEC 801-2
Resistance to electromagnetic fields	10 V/m 80...2000 MHz conforming to IEC 801-3
Ambient air temperature for operation	0...60 °C
Ambient air temperature for storage	-40...85 °C
Relative humidity	95 % without condensation
Operating altitude	<= 5000 m

## Offer Sustainability

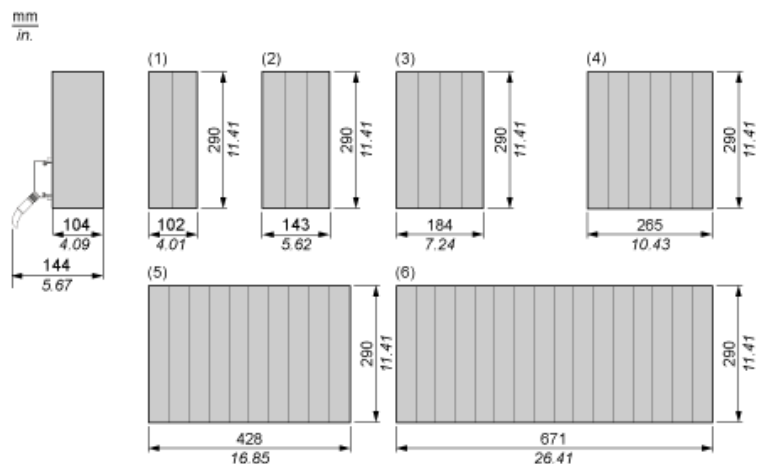
Sustainable offer status	Green Premium product
RoHS (date code: YYWW)	Compliant - since 0844 - Schneider Electric declaration of conformity <a href="#">Schneider Electric declaration of conformity</a>
REACH	Reference not containing SVHC above the threshold <a href="#">Reference not containing SVHC above the threshold</a>
Product environmental profile	Available <a href="#">End of life manual</a>
Product end of life instructions	Available

## Contractual warranty

Warranty period	18 months
-----------------	-----------

Racks for Modules Mounting

Dimensions of Modules and Racks

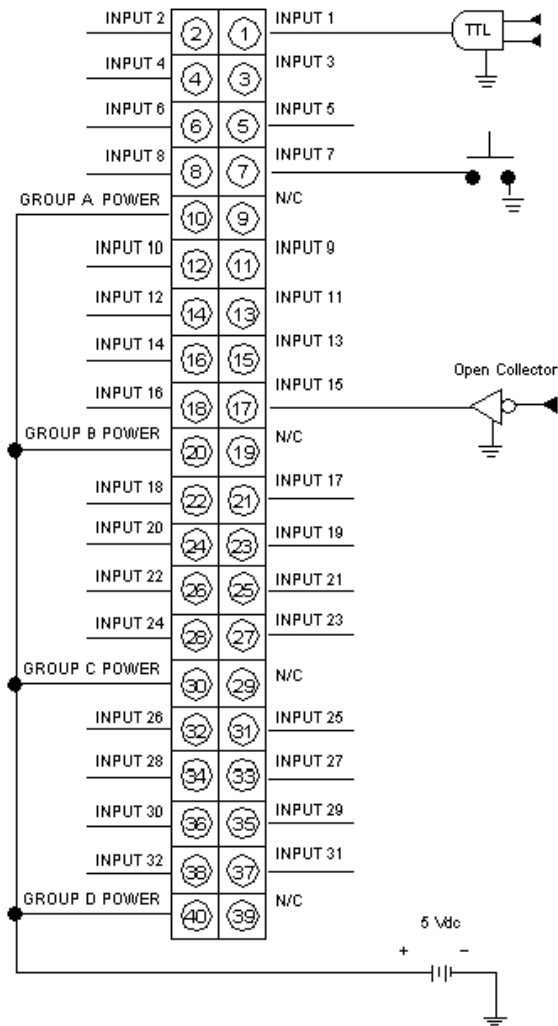


- (1) 2 slots
- (2) 3 slots
- (3) 4 slots
- (4) 6 slots
- (5) 10 slots
- (6) 16 slots

140DDI15310

5 Vdc Discrete Input Source Module

Wiring Diagram



N/C Not Connected