



Main

Range of product	Modicon Quantum automation platform
Product or component type	Dc discrete input modules
Discrete input number	24

Complementary

Group of channels	3
Logic input	Positive (sink)
Input voltage limits	88...150 V
Input voltage	125 V 2.5 mA DC
Absolute maximum voltage	156.25 V including ripple
Addressing requirement	2 input words
Response time	0.7 ms from state 0 to state 1 0.7 ms from state 1 to state 0
Isolation between group and bus	2500 Vrms DC for 1 minute
Isolation between group	700 Vrms DC for 1 minute
Power dissipation	1 W + (0.62 x number of points on)
Marking	CE
Local signalling	1 LED green bus communication is present (Active) 1 LED red external fault detected (F) 24 LEDs green input status
Bus current requirement	200 mA
Module format	Standard
Product weight	0.3 kg

Environment

Standards	UL 508 CSA C22.2 No 142
Product certifications	C-Tick

FM Class 1 Division 2

Resistance to electrostatic discharge	4 kV contact conforming to IEC 801-2 8 kV on air conforming to IEC 801-2
Resistance to electromagnetic fields	10 V/m 80...2000 MHz conforming to IEC 801-3
Ambient air temperature for operation	0...60 °C
Ambient air temperature for storage	-40...85 °C
Relative humidity	95 % without condensation
Operating altitude	<= 5000 m

Offer Sustainability

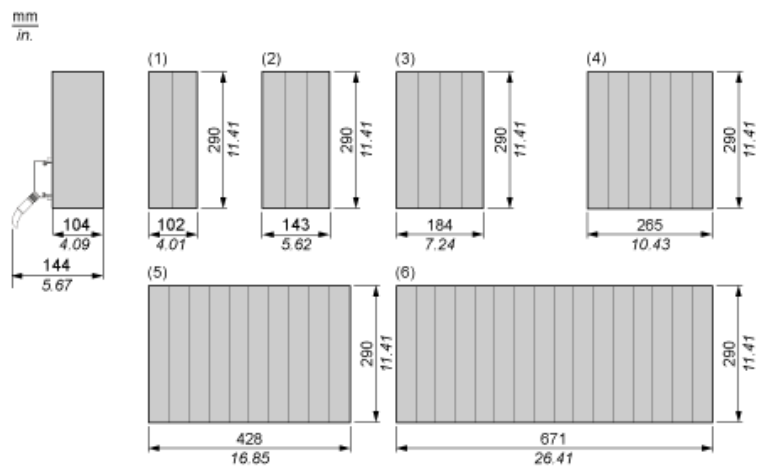
Sustainable offer status	Green Premium product
RoHS (date code: YYWW)	Compliant - since 1005 - Schneider Electric declaration of conformity Schneider Electric declaration of conformity
REACH	Reference not containing SVHC above the threshold Reference not containing SVHC above the threshold
Product environmental profile	Available End of life manual
Product end of life instructions	Available

Contractual warranty

Warranty period	18 months
-----------------	-----------

Racks for Modules Mounting

Dimensions of Modules and Racks

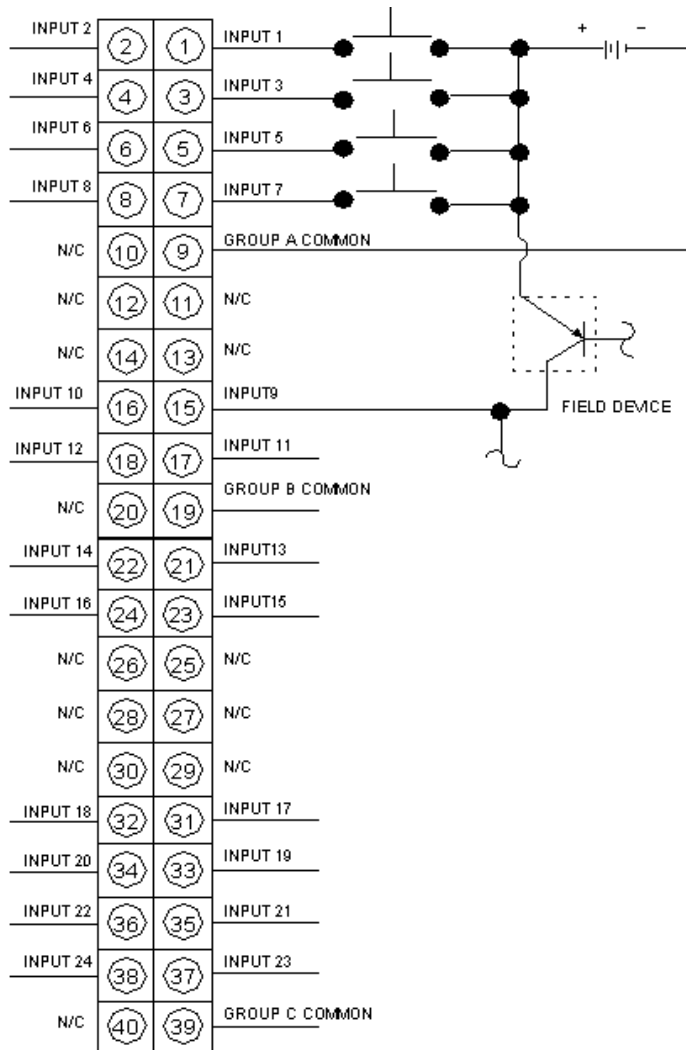


- (1) 2 slots
- (2) 3 slots
- (3) 4 slots
- (4) 6 slots
- (5) 10 slots
- (6) 16 slots

140DDI67300

125 Vdc Discrete Input Sink Module

Wiring Diagram



N/C Not Connected