



### Main

Range of product	Modicon Quantum automation platform
Product or component type	Mixed discrete I/O module
Discrete I/O number	24

### Complementary

Discrete input number	16 2 groups of 8
Discrete input logic	Sink
Addressing requirement	0.5 output word 1 input word
Network frequency limits	47...63 Hz
Discrete input voltage	24 V DC
Input voltage limits	$\leq 1$ V during one cycle 30 V 56 V during 1.3 ms $\leq 1$ V during 10 s
Voltage state 0 guaranteed	-3...5 V
Voltage state 1 guaranteed	15...30 V
Current state 0 guaranteed	$\leq 0.5$ mA
Current state 1 guaranteed	$\geq 2$ mA
Input impedance	2500 Ohm
Discrete output number	8 2 groups of 4
Discrete output type	Solid state
Discrete output logic	Sink
Discrete output voltage	24 V
Output voltage limits	19.2...30 V DC typical 56 V DC during 1.3 ms
Maximum load current	$\leq 0.5$ A per point $\leq 2$ A per group $\leq 4$ A per module

Disclaimer: This documentation is not intended as a substitute for and is not to be used for determining suitability or reliability of these products for specific user applications

Voltage drop	0.4 V 0.5 A
Absolute maximum output	5 A during 500 µs per point
Load inductance	500 mH 4 Hz
Load capacitance	<= 50 µF
Leakage current	0.4 mA 30 V DC
Response time on output	<= 1 ms at state 0 to state 1 <= 1 ms at state 1 to state 0
Protection type	On input by resistor limited Internal output protection by 5 A fuse per group On output by transient voltage suppression
Associated fuse rating	5 A per group
Isolation between group	500 Vrms for 1 minute
Isolation between group and bus	1780 Vrms for 1 minute
Fault indication	Blown fuse on output Loss of field power on output
Power dissipation	1.75 W + (0.36 x input point on) + (1.1 total output load current)
Local signalling	1 LED green bus communication is present (Active) 1 LED red no voltage in output and input (F) 2 LEDs green output is turned on 2 LEDs red fault detected on the input point 2 LEDs red fault detected on the output point
Marking	CE
Bus current requirement	330 mA
Product weight	0.3 kg

## Environment

Resistance to electrostatic discharge	4 kV contact conforming to IEC 801-2 8 kV on air conforming to IEC 801-2
Resistance to electromagnetic fields	10 V/m 80...1000 MHz conforming to IEC 801-3
Ambient air temperature for operation	0...60 °C
Ambient air temperature for storage	-40...85 °C
Relative humidity	95 % without condensation
Operating altitude	<= 5000 m
Standards	FM Class 1 Division 2 UL 508 CSA C22.2 No 142
Product certifications	CUL

## Offer Sustainability

Sustainable offer status	Green Premium product
RoHS (date code: YYWW)	Compliant - since 0840 - Schneider Electric declaration of conformity <a href="#">Schneider Electric declaration of conformity</a>
REACH	Reference not containing SVHC above the threshold <a href="#">Reference not containing SVHC above the threshold</a>
Product environmental profile	Available <a href="#">End of life manual</a>
Product end of life instructions	Available

## Contractual warranty

Warranty period	18 months
-----------------	-----------

Racks for Modules Mounting

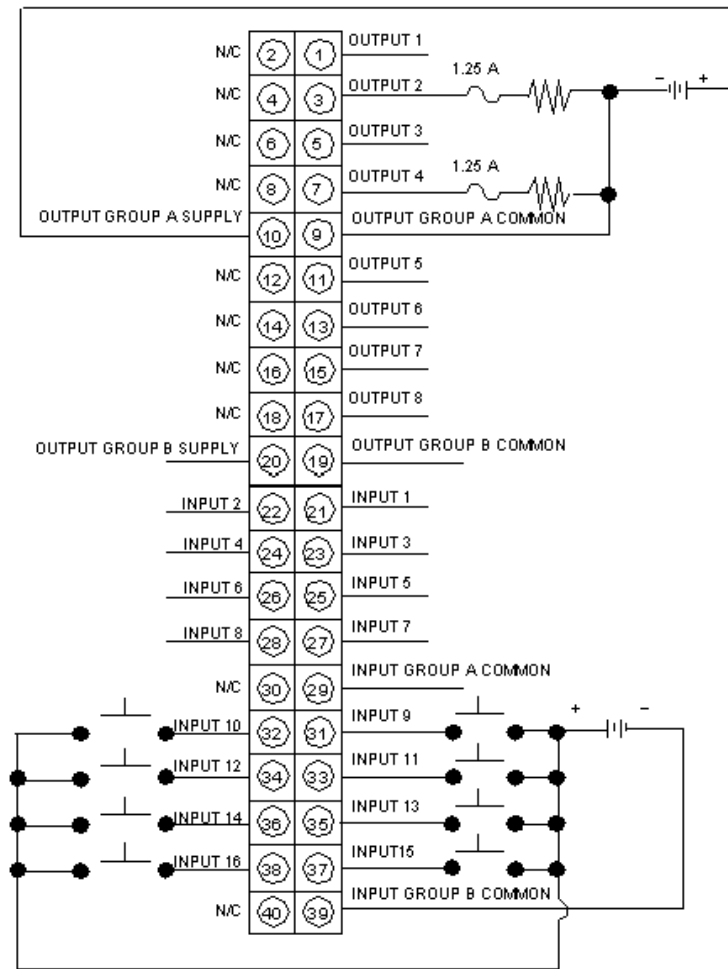
Dimensions of Modules and Racks



- (1) 2 slots
- (2) 3 slots
- (3) 4 slots
- (4) 6 slots
- (5) 10 slots
- (6) 16 slots

24 Vdc Discrete Input Sink/Output Source Module

Wiring Diagram



N/C Not Connected