



### Main

|                           |                                     |
|---------------------------|-------------------------------------|
| Range of product          | Modicon Quantum automation platform |
| Product or component type | Mixed discrete I/O module           |
| Discrete I/O number       | 24                                  |

### Complementary

|                            |   |
|----------------------------|---|
| Discrete input number      | 16 2 groups of 8  |
| Discrete input logic       | Sink  |
| Addressing requirement     | 0.5 output word<br>1 input word   |
| Network frequency limits   | 47...63 Hz  |
| Discrete input voltage     | 24 V DC   |
| Input voltage limits       | $\leq 1$ V during 10 s<br>$\leq 1$ V during one cycle<br>30 V<br>56 V during 1.3 ms |
| Voltage state 0 guaranteed | -3...5 V  |
| Voltage state 1 guaranteed | 15...30 V   |
| Current state 0 guaranteed | $\leq 0.5$ mA   |
| Current state 1 guaranteed | $\geq 2$ mA   |
| Input impedance            | 2500 Ohm  |
| Discrete output number     | 8 2 groups of 4   |
| Discrete output type       | Solid state   |
| Discrete output logic      | Sink  |
| Discrete output voltage    | 24 V  |
| Output voltage limits      | 19.2...30 V DC typical<br>56 V DC during 1.3 ms                                     |
| Maximum load current       | $\leq 0.5$ A per point<br>$\leq 2$ A per group<br>$\leq 4$ A per module             |

Disclaimer: This documentation is not intended as a substitute for and is not to be used for determining suitability or reliability of these products for specific user applications

|                                 |  |
|---------------------------------|--|
| Voltage drop                    | 0.4 V 0.5 A  |
| Absolute maximum output         | 5 A during 500 µs per point  |
| Load inductance                 | 500 mH 4 Hz  |
| Load capacitance                | <= 50 µF   |
| Leakage current                 | 0.4 mA 30 V DC   |
| Response time on output         | <= 1 ms at state 0 to state 1<br><= 1 ms at state 1 to state 0   |
| Protection type                 | Internal output protection by 5 A fuse per group<br>On input by resistor limited<br>On output by transient voltage suppression   |
| Associated fuse rating          | 5 A per group  |
| Isolation between group         | 500 Vrms for 1 minute  |
| Isolation between group and bus | 1780 Vrms for 1 minute   |
| Fault indication                | Blown fuse on output<br>Loss of field power on output  |
| Power dissipation               | 1.75 W + (0.36 x input point on) + (1.1 total output load current)   |
| Local signalling                | 1 LED green bus communication is present (Active)<br>1 LED red no voltage in output and input (F)<br>2 LEDs green output is turned on<br>2 LEDs red fault detected on the input point<br>2 LEDs red fault detected on the output point |
| Marking                         | CE   |
| Bus current requirement         | 330 mA   |
| Product weight                  | 0.3 kg   |

## Environment

|                                       |   |
|---------------------------------------|---|
| Resistance to electrostatic discharge | 4 kV contact conforming to IEC 801-2<br>8 kV on air conforming to IEC 801-2 |
| Resistance to electromagnetic fields  | 10 V/m 80...1000 MHz conforming to IEC 801-3                                |
| Ambient air temperature for operation | 0...60 °C   |
| Ambient air temperature for storage   | -40...85 °C   |
| Relative humidity                     | 95 % without condensation   |
| Operating altitude                    | <= 5000 m   |
| Protective treatment                  | Conformal coating Humiseal 1A33   |
| Standards                             | CSA C22.2 No 142<br>FM Class 1 Division 2<br>UL 508                         |
| Product certifications                | CUL   |

## Offer Sustainability

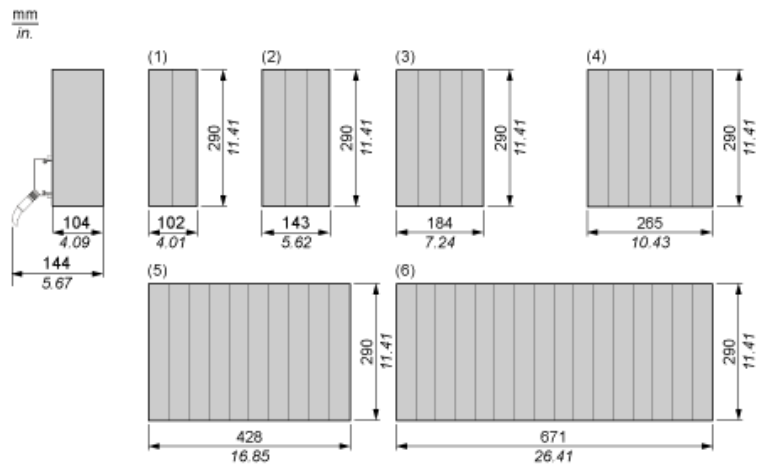
|                                  |   |
|----------------------------------|---|
| Sustainable offer status         | Green Premium product   |
| RoHS (date code: YYWW)           | Compliant - since 0840 - Schneider Electric declaration of conformity<br><a href="#">Schneider Electric declaration of conformity</a> |
| REACH                            | Reference not containing SVHC above the threshold<br><a href="#">Reference not containing SVHC above the threshold</a>                |
| Product environmental profile    | Available<br><a href="#">End of life manual</a>   |
| Product end of life instructions | Available   |

## Contractual warranty

|                 |           |
|-----------------|-----------|
| Warranty period | 18 months |
|-----------------|-----------|

Racks for Modules Mounting

Dimensions of Modules and Racks

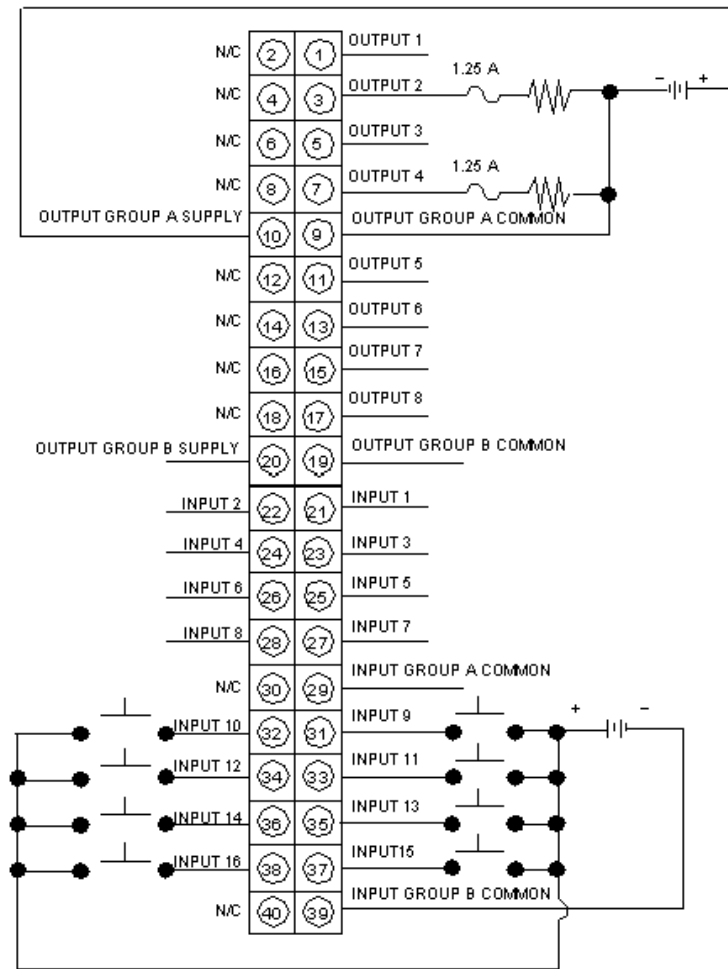


- (1) 2 slots
- (2) 3 slots
- (3) 4 slots
- (4) 6 slots
- (5) 10 slots
- (6) 16 slots

140DDM39000C

24 Vdc Discrete Input Sink/Output Source Module

Wiring Diagram



N/C Not Connected