



### Main

Range of product	Modicon Quantum automation platform
Product or component type	Mixed discrete I/O module
Discrete I/O number	8

### Complementary

Discrete input number	4 1 group of 8
Discrete input logic	Sink
Addressing requirement	1 input word 1 output word
Network frequency limits	47...63 Hz
Discrete input voltage	125 V DC
Input voltage limits	156.2 V including ripple
Voltage state 0 guaranteed	0...36 V
Voltage state 1 guaranteed	88...156.2 V
Current state 0 guaranteed	<= 1.2 mA
Current state 1 guaranteed	>= 2 mA
Response time	0.5 or 1.5 ms depending on the filter at state 0 to state 1 0.5 or 1.5 ms depending on the filter at state 1 to state 0
Discrete output number	4 1 group of 4
Discrete output type	Solid state, isolated
Discrete output logic	Source or sink
Discrete output voltage	24...125 V
Output voltage limits	19.2...156.2 V DC typical
Maximum load current	<= 16 A per module <= 4 A per point
Voltage drop	0.75 V 4 A
Absolute maximum output	30 A during 500 ms per point
Load capacitance	<= 0.1 µF 150 V DC

140DDM69000

Disclaimer: This documentation is not intended as a substitute for and is not to be used for determining suitability or reliability of these products for specific user applications

	<= 0.6 µF 24 V DC
Leakage current	1.2 mA 150 V DC
Protection type	Internal output protection by 5 A fuse per group On input by resistor limited On output by transient voltage suppression
Associated fuse rating	5 A
Isolation between group of I/O channels	1780 Vrms for 1 minute
Isolation between group and bus	2500 Vrms for 1 minute
Isolation between channels	1780 Vrms for 1 minute
Fault indication	Overcurrent on output
Power dissipation	0.4 W + (1 x input point on) + (0.75 total output load current)
Local signalling	1 LED green bus communication is present (Active) 1 LED red no voltage in output and input (F) 2 LEDs red fault detected on the output point 4 LEDs green output is turned on 4 LEDs red fault detected on the input point
Marking	CE
Bus current requirement	350 mA
Product weight	0.3 kg

## Environment

Resistance to electrostatic discharge	4 kV contact conforming to IEC 801-2 8 kV on air conforming to IEC 801-2
Resistance to electromagnetic fields	10 V/m 80...1000 MHz conforming to IEC 801-3
Ambient air temperature for operation	0...60 °C
Ambient air temperature for storage	-40...85 °C
Relative humidity	95 % without condensation
Operating altitude	<= 5000 m
Standards	CSA C22.2 No 142 FM Class 1 Division 2 UL 508
Product certifications	CUL

## Offer Sustainability

Sustainable offer status	Green Premium product
RoHS (date code: YYWW)	Compliant - since 0901 - Schneider Electric declaration of conformity <a href="#">Schneider Electric declaration of conformity</a>
REACH	Reference not containing SVHC above the threshold <a href="#">Reference not containing SVHC above the threshold</a>
Product environmental profile	Available <a href="#">End of life manual</a>
Product end of life instructions	Available

## Contractual warranty

Warranty period	18 months
-----------------	-----------

Racks for Modules Mounting

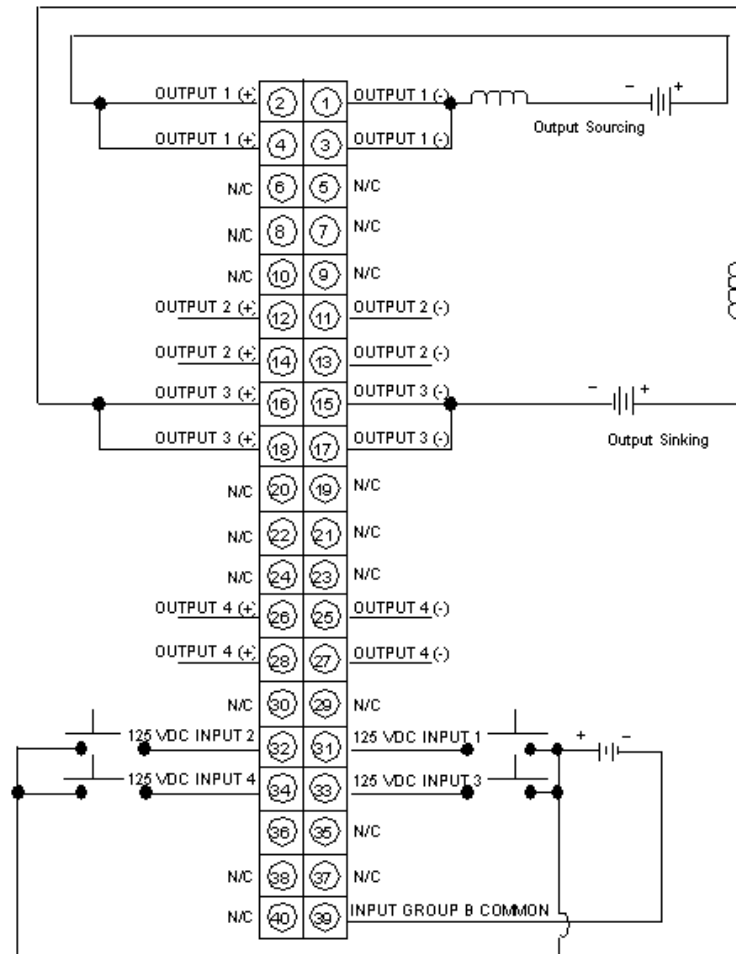
Dimensions of Modules and Racks



- (1) 2 slots
- (2) 3 slots
- (3) 4 slots
- (4) 6 slots
- (5) 10 slots
- (6) 16 slots

125 Vdc Discrete Input/High Power Output Module

Wiring Diagram



N/C Not Connected