



Main

Range of product	Modicon Quantum automation platform
Product or component type	Dc discrete output module
Discrete output number	12

Complementary

Group of channels	2 groups of 6
Discrete output logic	Negative logic (sink)
Addressing requirement	1 output word 1 input word
Discrete output voltage	24...125 V DC
Output voltage limits	19.2...156.2 V
Maximum load current	<= 0.75 A at 0...40 °C each point <= 3 A at 0...60 °C each group <= 6 A at 0...60 °C per module
Surge current	<= 4 A for 1 ms
Response time	1 ms at state 0 to state 1 1 ms at state 1 to state 0
Short-circuit protection	With
Output overvoltage protection	By varistor per group
Load inductance	No limit (protected by diode)
Tungsten load	41 W 115 V 46 W 130 V 8 W 24 V
Switching frequency	<= 50 Hz
Fault indication	Overcurrent
Isolation between channels and bus	2500 Vrms DC for 1 minute
Isolation between group	1200 Vrms DC for 1 minute
Protection type	Internal output protection by 4 A fuse
Power dissipation	1 W + (0.77 x all points on)

Disclaimer: This documentation is not intended as a substitute for and is not to be used for determining suitability or reliability of these products for specific user applications

Marking	CE
Local signalling	1 LED green bus communication is present (Active) 1 LED red external fault detected (F) 16 LEDs green input status
Bus current requirement	375 mA 6 outputs at state 1 650 mA 12 outputs at state 1
Module format	Standard
Product weight	0.45 kg

Environment

Product certifications	FM Class 1 Division 2 RMRS C-Tick GOST
Standards	CSA C22.2 No 142 UL 508
Resistance to electrostatic discharge	4 kV contact conforming to IEC 801-2 8 kV on air conforming to IEC 801-2
Resistance to electromagnetic fields	10 V/m 80...2000 MHz conforming to IEC 801-3
Ambient air temperature for operation	0...60 °C
Ambient air temperature for storage	-40...85 °C
Relative humidity	95 % without condensation
Operating altitude	<= 5000 m

Offer Sustainability

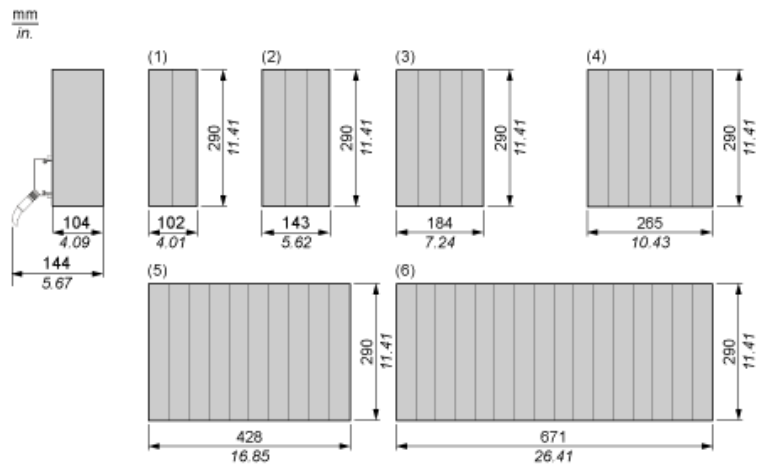
Sustainable offer status	Green Premium product
RoHS (date code: YYWW)	Compliant - since 0834 - Schneider Electric declaration of conformity Schneider Electric declaration of conformity
REACH	Reference not containing SVHC above the threshold Reference not containing SVHC above the threshold
Product environmental profile	Available End of life manual
Product end of life instructions	Available

Contractual warranty

Warranty period	18 months
-----------------	-----------

Racks for Modules Mounting

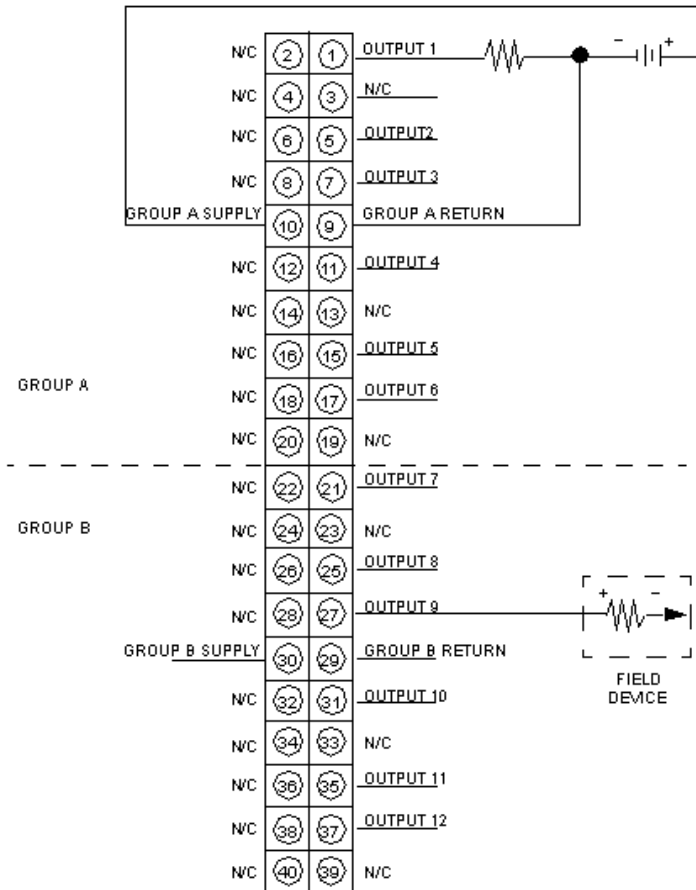
Dimensions of Modules and Racks



- (1) 2 slots
- (2) 3 slots
- (3) 4 slots
- (4) 6 slots
- (5) 10 slots
- (6) 16 slots

24...125 Vdc Discrete Output Source Module

Wiring Diagram



N/C Not Connected