



Main

Range of product	Modicon Quantum automation platform
Product or component type	Relay discrete output module
Discrete output number	8

Complementary

Contacts type and composition	1 NO/NC
Contact form	Form C
Discrete output voltage	20...250 V AC 30...150 V DC 5...30 V DC
Addressing requirement	0.5 output word
Maximum load current	100 mA 30...50 V DC L/R = 10 ms 2 A 250/30 V AC/DC tungsten 1/4 hp cos phi = 0.4 3 A 250/30 V AC/DC 300 mA 30...50 V DC resistive 5 A 250/30 V AC/DC resistive at 60 °C
Surge current	<= 20 A for 10 ms capacitive
Switching frequency	30 Hz resistive F = 0.5/l²L inductive
Switching capacity in VA	1250 VA resistive
Response time on input open	<= 10 ms at state 0 to state 1 <= 20 ms at state 1 to state 0
Mechanical durability	10000000 cycles
Electrical durability	100000 cycles 100 mA 30...150 V DC L/R = 10 ms 100000 cycles 30...150 V DC interposing relay 100000 cycles 300 mA 30...150 V DC resistive 100000 cycles 5 A 30 V DC resistive 200000 cycles 5 A 250 V AC resistive 50000 cycles 500 mA 30...150 V DC resistive
Output overvoltage protection	Internal by varistor, 275 V
Isolation between channels	1780 Vrms AC for 1 minute

Disclaimer: This documentation is not intended as a substitute for and is not to be used for determining suitability or reliability of these products for specific user applications

	2500 V DC
Isolation between channels and bus	1780 Vrms AC for 1 minute 2500 V DC for 1 minute
Power dissipation	2.75 W + (0.5 x the number of points on)
Marking	CE
Local signalling	1 LED green bus communication is present (Active) 1 LED red external fault detected (F) 8 LEDs green input status
Bus current requirement	560 mA
Module format	Standard
Product weight	0.3 kg

Environment

Protective treatment	Conformal coating Humiseal 1A33
Product certifications	ABS C-Tick DNV FM Class 1 Division 2 GL GOST RINA RMRS
Standards	CSA C22.2 No 142 UL 508
Resistance to electrostatic discharge	4 kV contact conforming to IEC 801-2 8 kV on air conforming to IEC 801-2
Resistance to electromagnetic fields	10 V/m 80...2000 MHz conforming to IEC 801-3
Ambient air temperature for operation	0...60 °C
Ambient air temperature for storage	-40...85 °C
Relative humidity	95 % without condensation
Operating altitude	<= 5000 m

Offer Sustainability

Sustainable offer status	Green Premium product
RoHS (date code: YYWW)	Compliant - since 0901 - Schneider Electric declaration of conformity Schneider Electric declaration of conformity
REACH	Reference not containing SVHC above the threshold Reference not containing SVHC above the threshold
Product environmental profile	Available End of life manual
Product end of life instructions	Available

Contractual warranty

Warranty period	18 months
-----------------	-----------

Racks for Modules Mounting

Dimensions of Modules and Racks

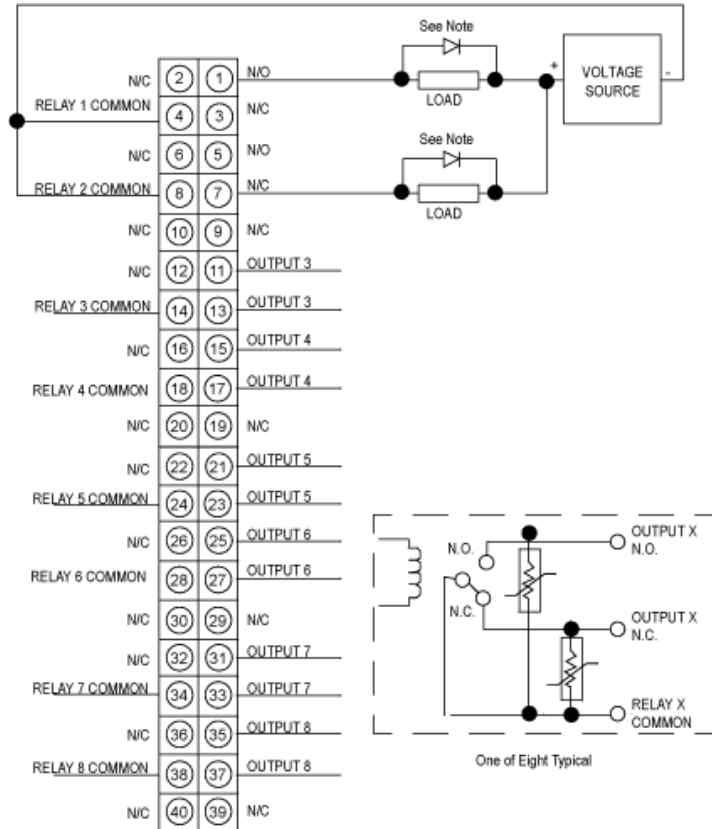


- (1) 2 slots
- (2) 3 slots
- (3) 4 slots
- (4) 6 slots
- (5) 10 slots
- (6) 16 slots

140DRC83000C

Relay Output Normally Open/Normally Closed Module

Wiring Diagram



N/C Not Connected
N.O. Normally Open
N.C. Normally Closed