



Main

Range of product	Modicon Quantum automation platform
Product or component type	Low voltage dc discrete input modules
Discrete input number	32

Complementary

Group of channels	4
Logic input	Positive (sink)
Discrete input voltage	24 V DC
Input voltage limits	20...30 V
Voltage state 1 guaranteed	≥ 11 V DC
Voltage state 0 guaranteed	≤ 5 V DC
Current state 1 guaranteed	≥ 2.5 mA
Current state 0 guaranteed	≤ 1.2 mA
Addressing requirement	4 input words
Absolute maximum input	45 V during 10 ms decaying pulse
Response time	2.2 ms from state 0 to state 1 3.3 ms from state 1 to state 0
Isolation between group and bus	1780 Vrms for 1 minute
Isolation between group	500 Vrms for 1 minute
Checks	Broken wire detection
Local signalling	1 LED green bus communication is present (Active) 1 LED red external fault detected (F) 32 LEDs green input status
Marking	CE
Bus current requirement	250 mA
Module format	Standard
Product weight	0.3 kg

Environment

Protective treatment	Conformal coating Humiseal 1A33
Standards	UL 508 CSA C22.2 No 142

Product certifications	ABS FM Class 1 Division 2 C-Tick
Resistance to electrostatic discharge	4 kV contact conforming to IEC 801-2 8 kV on air conforming to IEC 801-2
Resistance to electromagnetic fields	10 V/m 80...2000 MHz conforming to IEC 801-3
Ambient air temperature for operation	0...60 °C
Ambient air temperature for storage	-40...85 °C
Relative humidity	95 % without condensation
Operating altitude	<= 5000 m

Contractual warranty

Warranty period	18 months
-----------------	-----------

Racks for Modules Mounting

Dimensions of Modules and Racks

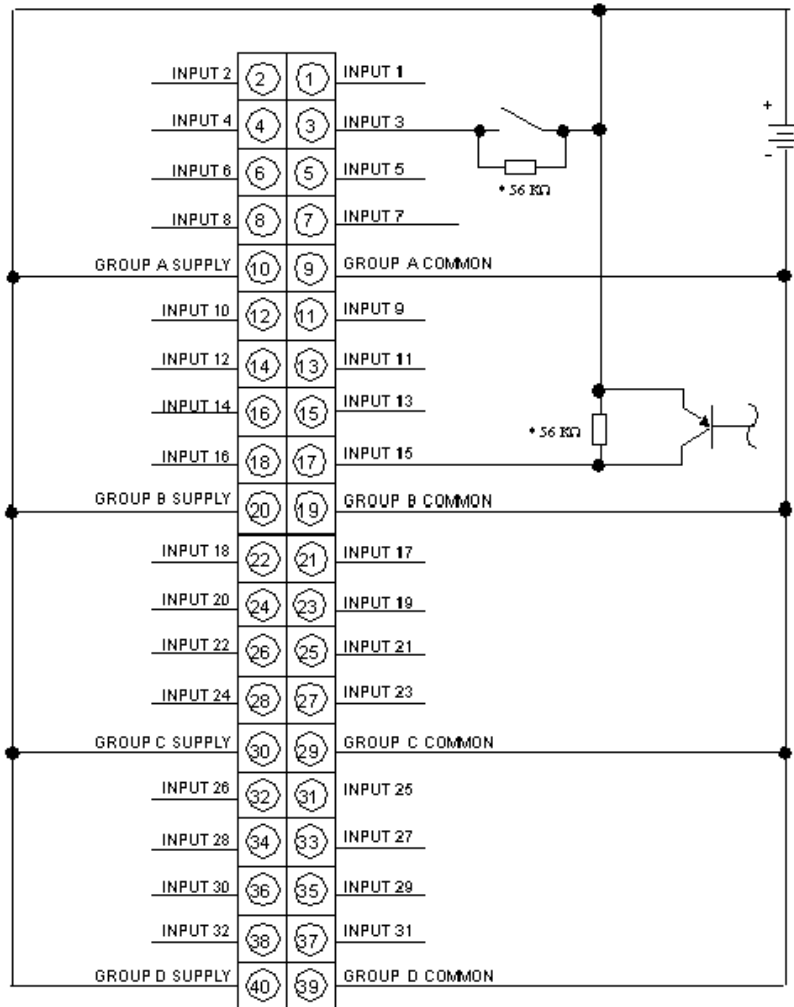


- (1) 2 slots
- (2) 3 slots
- (3) 4 slots
- (4) 6 slots
- (5) 10 slots
- (6) 16 slots

140DSI35300C

24 Vdc Discrete Supervised Input Module

Wiring Diagram



* Recommended resistor value for 24 Vdc.