



Main

Range of product	Modicon Quantum automation platform
Product or component type	High-speed counter module
Number of channels	5

Complementary

Number of inputs	8
Addressing requirement	12 input words 12 output words
Data format	2147483647 dec 32 bits 65535 dec 16 bits
Counting input voltage	30 V DC max
Counting input current	7 mA
Counting input type	Discrete incremental counter
Counting frequency	100000 Hz
Duty cycle	1/1 counter input
Discrete input current	5 mA
Operating threshold	15...30 V single ended mode 24 V REF DC at state on 3...5 V single ended mode 24 V REF DC at state off
Discrete output number	8
Discrete output type	Field Effect Transistor (FET)
Discrete output voltage	0 V switch off DC 20...30 V switch on DC
Load current	0.21 A
Leakage current	<= 0.1 mA state off
Voltage drop	1.25 V state on
Isolation between channels and bus	500 Vrms for 60 s
Fault type	Loss of output field power
Output short-circuit protection	Internal

Disclaimer: This documentation is not intended as a substitute for and is not to be used for determining suitability or reliability of these products for specific user applications

Power dissipation	>= 6 W
Bus current requirement	250 mA
External power requirement	19.2...30 V
Rack type	Distributed Remote Local
Local signalling	5 LEDs channel status
Marking	CE
Current consumption	<= 1140 mA 24 V DC external power supply
Module format	Standard

Environment

Resistance to electrostatic discharge	4 kV contact conforming to IEC 801-2 8 kV on air conforming to IEC 801-2
Resistance to electromagnetic fields	10 V/m 80...1000 MHz conforming to IEC 801-3
Ambient air temperature for operation	0...60 °C
Ambient air temperature for storage	-40...85 °C
Relative humidity	95 % without condensation
Operating altitude	<= 5000 m
Standards	UL 508
Product certifications	ABS RINA GL GOST UL DNV C-Tick CSA Class 1 Division 2 RRS LR

Offer Sustainability

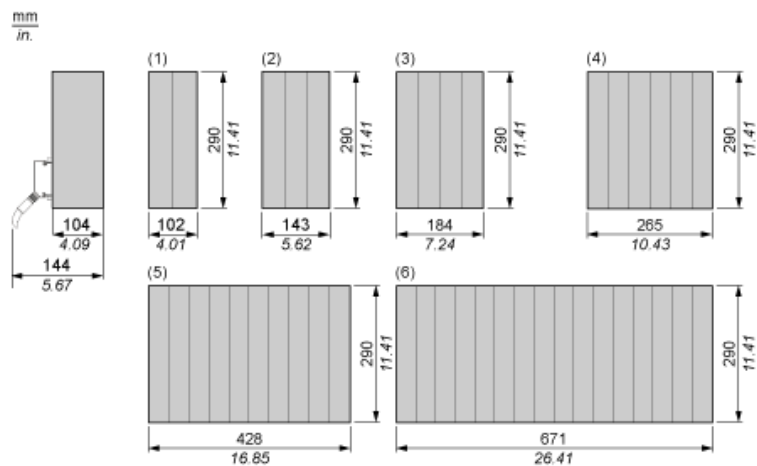
Sustainable offer status	Green Premium product
RoHS (date code: YYWW)	Compliant - since 0926 - Schneider Electric declaration of conformity Schneider Electric declaration of conformity
REACH	Reference not containing SVHC above the threshold Reference not containing SVHC above the threshold
Product environmental profile	Available End of life manual
Product end of life instructions	Available

Contractual warranty

Warranty period	18 months
-----------------	-----------

Racks for Modules Mounting

Dimensions of Modules and Racks

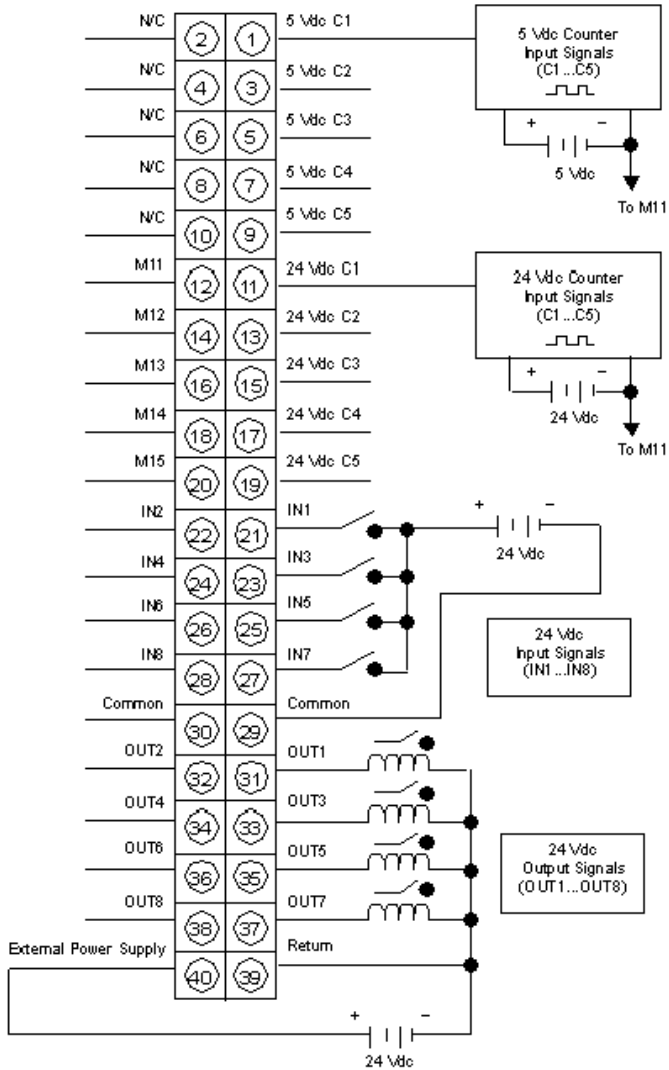


- (1) 2 slots
- (2) 3 slots
- (3) 4 slots
- (4) 6 slots
- (5) 10 slots
- (6) 16 slots

140EHC10500

Five-Channel Discrete High Speed Counter

Wiring Diagram



N/C Not Connected

Terminals 29 and 30 are jumpered together.