



Main

Range of product	Modicon Quantum automation platform
Product or component type	Fibre optic repeater
Optic fiber type	Single mode

Complementary

Bus current requirement	750 mA
Power dissipation in W	5 W
Inrush current	1.8 A at 5 V DC
Number of port	1, connector type: coaxial connector 2 fiber optic, connector type: LC
Local signalling	1 LED green for coaxial communication status 2 LEDs green for optical communication status 1 LED red for activity detected 1 LED green for module status with RDY marking 1 LED red for internal fault, module failure with ERR marking 1 LED red for error with FAULT marking
Wavelength	1300 nm
Optic distance between 2 transceivers	16000 m (9/125 µm), optical power : 0.45 dBm
Attenuation	-15...-8 dB (9/125 µm)
Rise/Fall time	20 ns
Receiver sensitivity	- 25 dBm
Dynamic range	20 dB
Detected silence	-45 dBm
Marking	CE
Material	PC (polycarbonate)
AWG gauge	AWG 14...AWG 1
Width	40.34 mm
Height	250 mm
Depth	103.85 mm

140NRP95401C

Product weight	0.554 kg
----------------	----------

Environment

Ambient air temperature for operation	0...60 °C
Ambient air temperature for storage	-40...85 °C
Relative humidity	0...95 %
Operating altitude	0...2000 m
Standards	FM Class 1 Division 2 CSA C22.2 No 142 UL 508
Product certifications	Merchant Navy

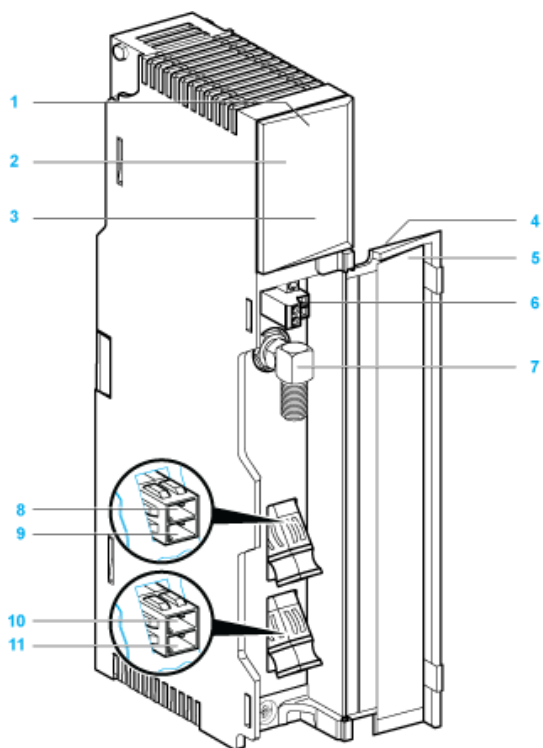
Offer Sustainability

Sustainable offer status	Green Premium product
RoHS (date code: YYWW)	Compliant - since 1208 - Schneider Electric declaration of conformity Schneider Electric declaration of conformity
REACH	Reference not containing SVHC above the threshold Reference not containing SVHC above the threshold
Product environmental profile	Available
Product end of life instructions	Available

Contractual warranty

Warranty period	18 months
-----------------	-----------

Presentation

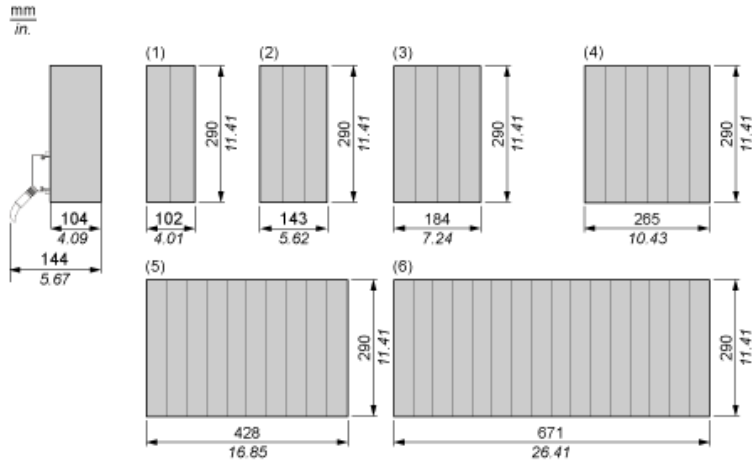


- 1 Version label
- 2 Model number, module description, color code
- 3 LED area
- 4 Removable door
- 5 Customer identification label (Fold label and place it inside door)
- 6 Diagnostic relay port
- 7 Electrical coaxial port ("F" type connector)
- 8 Receiver optical fiber port - FPort 1 Rx (LC type connector)
- 9 Transmitter optical fiber port - FPort 1 Tx (LC type connector)
- 10 Receiver optical fiber port - FPort 2 Rx (LC type connector)
- 11 Transmitter optical fiber port - FPort2 Tx (LC type connector)

140NRP95401C

Racks for Modules Mounting

Dimensions of Modules and Racks



- (1) 2 slots
- (2) 3 slots
- (3) 4 slots
- (4) 6 slots
- (5) 10 slots
- (6) 16 slots