



### Main

Range of product	PRD1
Range	Multi 9
Product name	Multi 9 PRD1
Product or component type	Surge arrester with pluggable cartridge
Device short name	PRD1 25r
Device application	Distribution
Poles description	1P + N
Remote signalling	With
Signal contacts composition	1 SD (1 C/O)
Surge arrester type	Electrical distribution network
Earthing system	TT TN-S

### Complementary

Surge arrester class type	Type 1 + 2
Surge arrester technology	Spark gap MOV
[Ue] rated operational voltage	230 V (+/- 10 %) AC 50 Hz 400 V (+/- 10 %) AC 50 Hz
Nominal discharge current	Common mode : 100 kA N/PE Differential mode : 25 kA L/N
[Iimp] impulse current	Common mode : 100 kA N/PE 50 A.s Differential mode : 25 kA L/N 12.5 A.s
[Uc] maximum continuous operating voltage	Common mode : 350 V N/PE Differential mode : 350 V L/N
[Up] voltage protection level	1.5 kV type 2 common mode N/PE 1.5 kV type 2 differential mode L/N
[If] follow current	25 kA differential mode L/N 0.1 kA common mode N/PE
Disconnecter device type	Associated fuse gG 315 A according to standard Associated circuit breaker Compact NSX100B 100 A curve C - Icu 10 kA Associated circuit breaker Compact NSX100B 100 A curve C - Icu 15 kA Associated circuit breaker Compact NSX100B 100 A curve C - Icu 25 kA
Local signalling	Flag color: white/red

Signalling circuit voltage	1.5 A/250 V AC 50/60 Hz
Mounting mode	Clip-on
Mounting support	DIN rail
9 mm pitches	8
Height	90 mm
Width	71.6 mm
Depth	70 mm
Product weight	0.77 kg
Colour	Anthracite grey ( RAL 7016 )
Material	PBT (polybutylene terephthalate)
Response time	<= 25 ns
Connections - terminals	Tunnel type terminal, downside 2.5...35 mm <sup>2</sup> Tunnel type terminal, upside 2.5...35 mm <sup>2</sup>
Tightening torque	4.5 N.m
Impulse current	25 kA
Compatibility code	PRD1_25r
Market segment	Small commercial

## Environment

Standards	EN 61643-11 : 2012 IEC 61643-11 : 2011
Product certifications	CE
Quality labels	KEMA-KEUR
IP degree of protection	On front face : IP40 conforming to IEC 60529 Built-in : IP20 conforming to IEC 60529
IK degree of protection	IK05 conforming to IEC 62262
Relative humidity	5...90 %
Operating altitude	2000 m
Ambient air temperature for operation	-25...60 °C
Ambient air temperature for storage	-40...80 °C

## Offer Sustainability

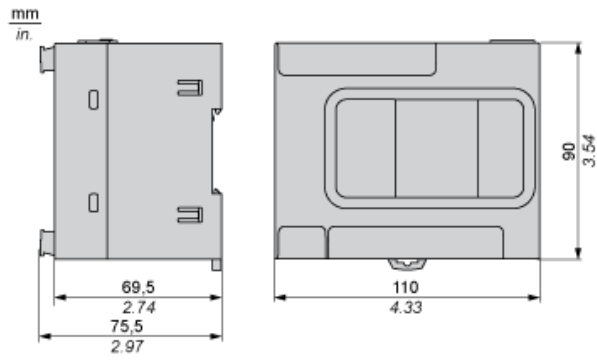
RoHS (date code: YYWW)	Compliant - since 0601 - Schneider Electric declaration of conformity <a href="#">Schneider Electric declaration of conformity</a>
REACH	Reference not containing SVHC above the threshold <a href="#">Reference not containing SVHC above the threshold</a>

## Contractual warranty

Warranty period	18 months
-----------------	-----------

尺寸图

尺寸



16330