



### Main

Range of product	Modicon Momentum automation platform
Product or component type	Analogue input base
Analogue input number	16
Analogue input type	Single ended
Analogue input range	+/- 10 V 12 bits + sign > 2200 kOhm +/- 5 V 12 bits + sign > 2200 kOhm 4...20 mA 12 bits + sign < 0.25 Ohm
Type of filter	Low pass input filter 10 kHz

### Complementary

Data format	Full 16 bits signed
Absolute accuracy error	+/- 0.15 % of full scale 25 °C +/- 10 V +/- 0.15 % of full scale 25 °C +/- 5 V +/- 0.25 % full scale 25 °C 4...20 mA +/- 0.25 % full scale 60 °C +/- 10 V +/- 0.25 % full scale 60 °C +/- 5 V +/- 0.45 % full scale 60 °C 4...20 mA
Temperature drift	+/- 30 % full scale +/- 10 V 60 °C +/- 30 % full scale +/- 5 V 60 °C +/- 60 % full scale 4...20 mA 60 °C
Update time	25 ms
Isolation between channels and ground	1780 V AC for 1 minute
Isolation between supply and ground	500 V for 1 minute
Permissible common mode voltage	100 V 47...63 Hz DC between channels to ground 250 V 47...63 Hz AC between channels to ground
External power requirement	+/- 30 V DC
Power dissipation in W	<= 5.55 W
Reverse polarity protection	Internal
Protection type	Internal 2 A slow-blow
Associated fuse rating	500 mA fast blow

Marking	CE
Local signalling	16 LEDs channel status
Electrical connection	2 connectors for removable terminal blocks
Current consumption	305 mA 24 V DC
Depth	47.5 mm
Height	125 mm
Width	141.5 mm
Product weight	0.215 kg

## Environment

Product certifications	UL FM Class 1 Division 2 CSA
Protective treatment	Conformal coating Humiseal 1A33 TC
Resistance to electrostatic discharge	4 kV contact IEC 801-2 8 kV on air IEC 801-2
Resistance to electromagnetic fields	10 V/m 80...1000 MHz IEC 801-3
Ambient air temperature for operation	0...60 °C
Ambient air temperature for storage	-40...85 °C
Relative humidity	95 % without condensation
Operating altitude	<= 5000 m

## Offer Sustainability

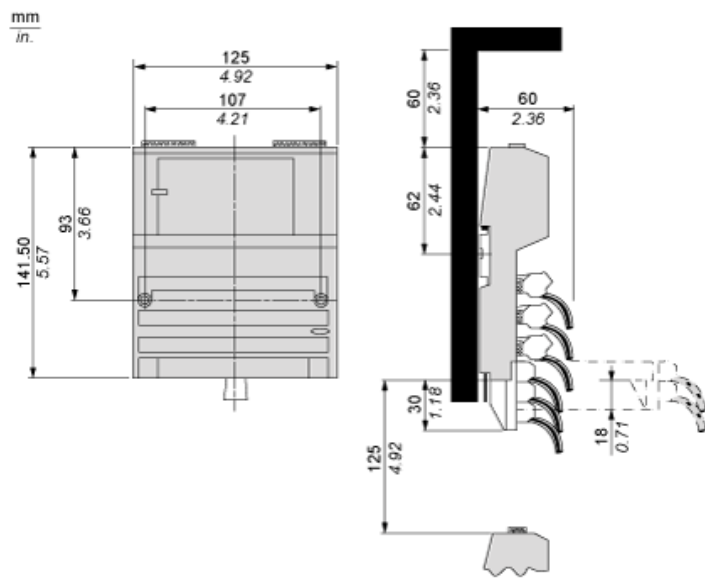
Sustainable offer status	Green Premium product
RoHS (date code: YYWW)	Compliant - since 1350 - Schneider Electric declaration of conformity <a href="#">Schneider Electric declaration of conformity</a>
REACH	Reference not containing SVHC above the threshold <a href="#">Reference not containing SVHC above the threshold</a>
Product environmental profile	Available
Product end of life instructions	Available

## Contractual warranty

Warranty period	18 months
-----------------	-----------

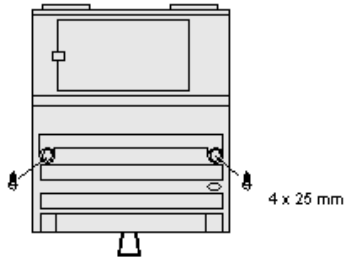
Standard Adapter on a Typical Base

Dimensions

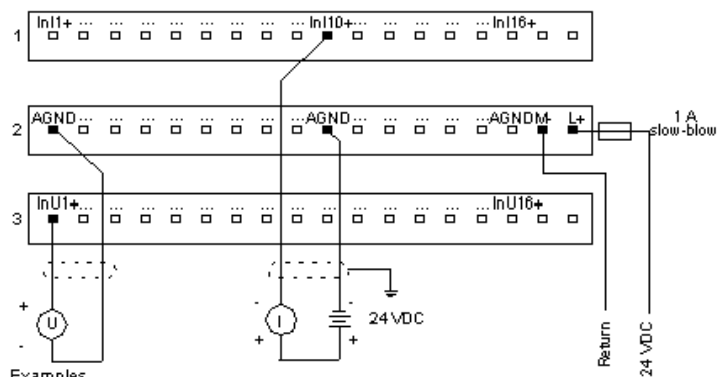


170AAI14000C

Mounting on a Wall



## External Wiring Diagram



**Examples**

- \* Channel 1, wired for voltage input
- \* Channel 10, wired for current input

# 170AAI14000C

---

Internal Pin Connections

---

