



### Main

Range of product	Modicon Momentum automation platform
Product or component type	Analogue input base
Analogue input number	4
Analogue input type	Differential
Analogue input range	+/- 100 mV 15 bits + sign > 10000 kOhm +/- 25 mV 15 bits + sign > 10000 kOhm
Thermocouple type	Thermocouple B Thermocouple E Thermocouple J Thermocouple K Thermocouple N Thermocouple R Thermocouple S Thermocouple T

### Complementary

Data format	Full 16 bits signed
Temperature probe type	Ni 100 0.125 mA +/- 25 mV Ni 1000 0.125 mA +/- 100 mV Pt 100 0.125 mA +/- 25 mV Pt 1000 0.125 mA +/- 100 mV
Update time	500 ms
Isolation between channels	400 V DC
Isolation between channels and ground	500 V AC for 1 minute
Isolation between supply and ground	500 V for 1 minute
Permissible common mode voltage	100 V DC between channels to ground 115 V AC single or three phases between channels 200 V DC between channels 250 V AC between channels to ground 250 V AC single phase between channels
Common mode rejection	120 dB DC between channels 130 dB 50 Hz AC between channels

135 dB DC between channels to ground  
 140 dB 60 Hz AC between channels  
 145 dB 50 Hz AC between channels to ground  
 155 dB 60 Hz AC between channels to ground

Serial mode rejection	35 dB 50 Hz AC 45 dB 60 Hz AC
External power requirement	+/- 30 V DC
Power dissipation in W	<= 5.5 W
Reverse polarity protection	Internal
Protection type	Internal 2 A slow-blow
Associated fuse rating	500 mA fast blow
Marking	CE
Local signalling	16 LEDs channel status 32 LEDs channel status 4 LEDs channel status
Electrical connection	2 connectors for removable terminal blocks
Current consumption	305 mA 24 V DC
Depth	47.5 mm
Height	125 mm
Width	141.5 mm
Product weight	0.215 kg

## Environment

Product certifications	CSA FM Class 1 Division 2 UL
Protective treatment	Conformal coating Humiseal 1A33 TC
Resistance to electrostatic discharge	4 kV contact IEC 801-2 8 kV on air IEC 801-2
Resistance to electromagnetic fields	10 V/m 80...1000 MHz IEC 801-3
Ambient air temperature for operation	0...60 °C
Ambient air temperature for storage	-40...85 °C
Relative humidity	95 % without condensation
Operating altitude	<= 5000 m

## Offer Sustainability

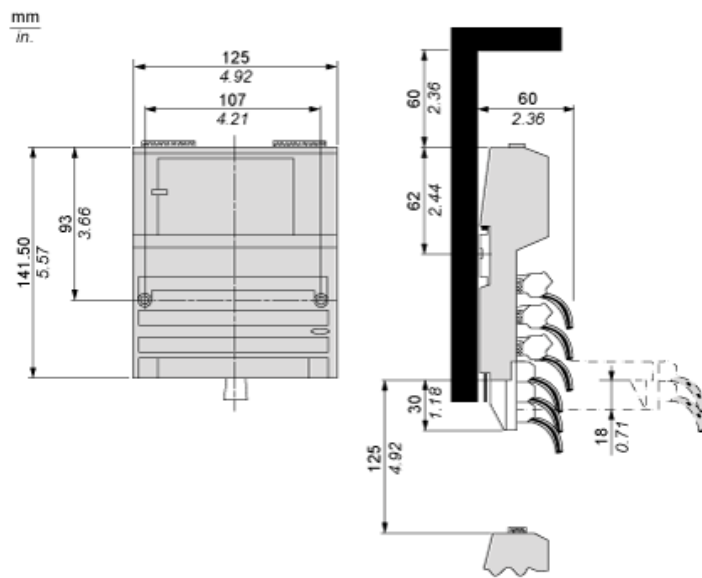
Sustainable offer status	Green Premium product
RoHS (date code: YYWW)	Compliant - since 1350 - Schneider Electric declaration of conformity <a href="#">Schneider Electric declaration of conformity</a>
REACH	Reference not containing SVHC above the threshold <a href="#">Reference not containing SVHC above the threshold</a>
Product environmental profile	Available
Product end of life instructions	Available

## Contractual warranty

Warranty period	18 months
-----------------	-----------

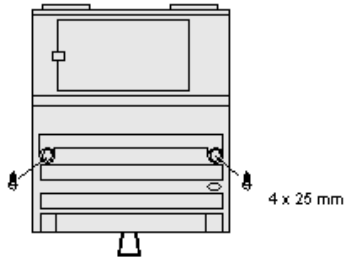
Standard Adapter on a Typical Base

Dimensions

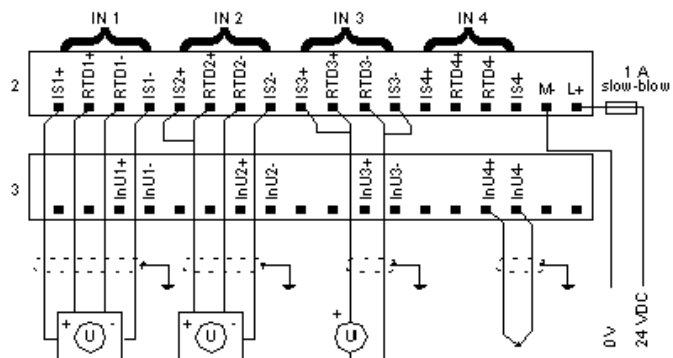


170AAI52040C

Mounting on a Wall



External Wiring Diagram



Examples

- \* Channel 1,RTD input, 4 - wire configuration
- \* Channel 2,RTD input, 3 - wire configuration
- \* Channel 3,RTD input, 2 - wire configuration
- \* Channel 4,thermocouple input

170AAI52040C

Internal Pin Connections

