



Main

| | |
|---------------------------|--------------------------------------|
| Range of product | Modicon Momentum automation platform |
| Product or component type | Analogue output base |

Complementary

| | |
|---------------------------------------|--|
| Analogue output number | 4 |
| Data format | Full 16 bits signed |
| Analogue output range | +/- 10 V 12 bits + sign ≥ 1 kOhm 0...20 mA 12 bits + sign ≤ 0.6 kOhm |
| Load capacitance | $< 1 \mu\text{F}$ |
| Absolute accuracy error | +/- 0.2 % of full scale +/- 10 V 25 °C +/- 0.25 % full scale +/- 10 V 60 °C +/- 0.3 % of full scale 0...20 mA 25 °C +/- 0.4 % of full scale 0...20 mA 60 °C |
| Temperature drift | 10 %oFS/°C +/- 10 V 60 °C 30 %oFS/°C 0...20 mA 60 °C |
| Update time | 2 ms |
| Full scale | 10 V +/- 10 V 2 mA 0...20 mA |
| Fail state | Hold Reset to zero Reset to full scale |
| Isolation between channels and ground | 500 V AC for 1 minute |
| Power dissipation in W | ≤ 8.5 W |
| Protection type | Internal 2 A slow-blow |
| Output short-circuit protection | With in voltage circuit |
| External power requirement | +/- 30 V DC 24 V DC |
| Permissible common mode voltage | 250 V 47...63 Hz AC between channels to ground 250 V 47...63 Hz DC |
| Reverse polarity protection | Internal |

| | |
|---------------------|--|
| Marking | CE |
| Local signalling | 4 LEDs channel status |
| Current consumption | 150 mA 24 V DC actuator 530 mA 24 V DC base |
| Module format | Standard |
| Height | 125 mm |
| Depth | 47.5 mm |
| Width | 141.5 mm |
| Product weight | 0.215 kg |

Environment

| | |
|---------------------------------------|---|
| Product certifications | CSA UL |
| Protective treatment | TC |
| Resistance to electrostatic discharge | 4 kV contact IEC 801-2 8 kV on air IEC 801-2 |
| Resistance to electromagnetic fields | 10 V/m 80...1000 MHz IEC 801-3 |
| Ambient air temperature for operation | 0...60 °C |
| Ambient air temperature for storage | -40...85 °C |
| Relative humidity | 95 % without condensation |
| Operating altitude | <= 5000 m |

Offer Sustainability

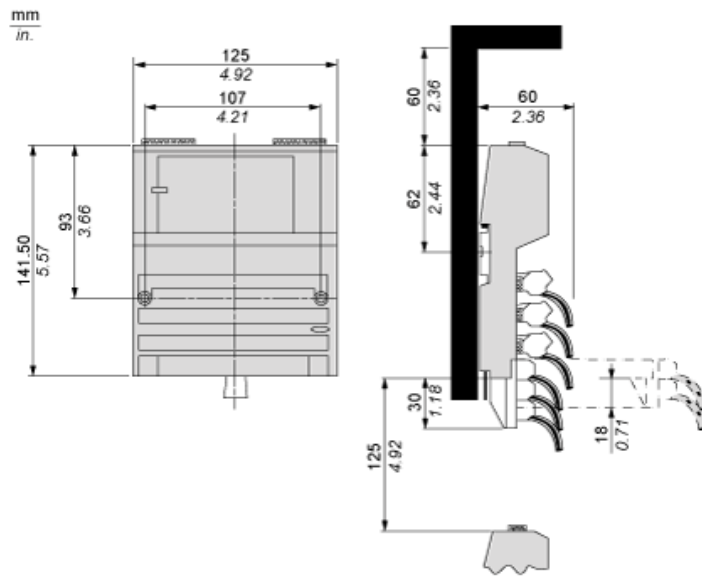
| | |
|----------------------------------|---|
| Sustainable offer status | Green Premium product |
| RoHS (date code: YYWW) | Compliant - since 1350 - Schneider Electric declaration of conformity Schneider Electric declaration of conformity |
| REACH | Reference not containing SVHC above the threshold Reference not containing SVHC above the threshold |
| Product environmental profile | Available Product environmental |
| Product end of life instructions | Available End of life manual |

Contractual warranty

| | |
|-----------------|-----------|
| Warranty period | 18 months |
|-----------------|-----------|

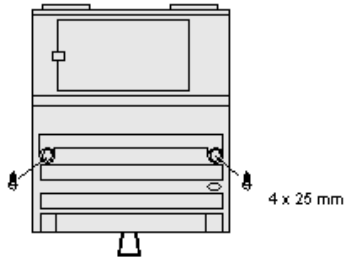
Standard Adapter on a Typical Base

Dimensions

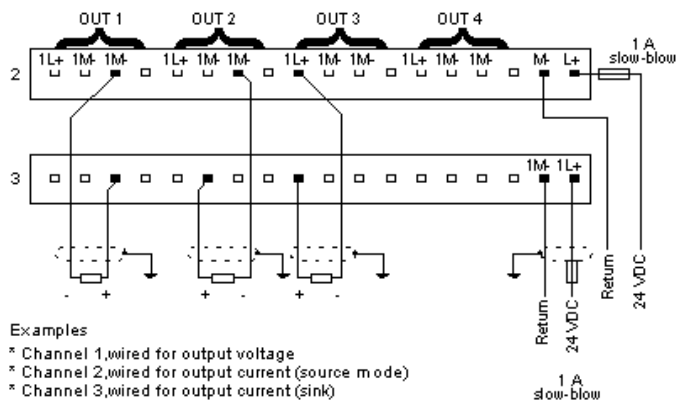


170AAO12000

Mounting on a Wall



External Wiring Diagram



170AAO12000

Internal Pin Connections

