



Main

Range of product	Modicon Momentum automation platform
Product or component type	Discrete inputs base DC
Group of channels	1 group of 16 inputs
Discrete input number	16 IEC 1131-2 Type 1
Discrete input voltage	24 V DC
Protective treatment	Conformal coating Humiseal 1A33 TC

Complementary

Discrete input logic	Positive
Input voltage limits	24 V
Voltage range	- 3...30 V
Voltage state 0 guaranteed	-3...5 V
Voltage state 1 guaranteed	11...30 V
Current state 0 guaranteed	<= 1.2 mA
Current state 1 guaranteed	>= 2.5 mA
Input resistance	4 kOhm
Response time	2.2 ms from state 0 to state 1 3.3 ms from state 1 to state 0
Isolation between channels and bus	500 V AC
Power dissipation	5 W maximum 3 W typical
Marking	CE
Local signalling	16 LEDs channel status
Current consumption	<= 250 mA 24 V DC
Depth	47.5 mm
Height	141.5 mm
Width	125 mm
Product weight	0.19 kg

Environment

Product certifications	FM Class 1 Division 2
------------------------	-----------------------

UL
CSA

Resistance to electrostatic discharge	4 kV contact IEC 801-2 8 kV on air IEC 801-2
Resistance to electromagnetic fields	10 V/m 80...1000 MHz IEC 801-3
Ambient air temperature for operation	0...60 °C
Ambient air temperature for storage	-40...85 °C
Relative humidity	95 % without condensation
Operating altitude	<= 5000 m

Offer Sustainability

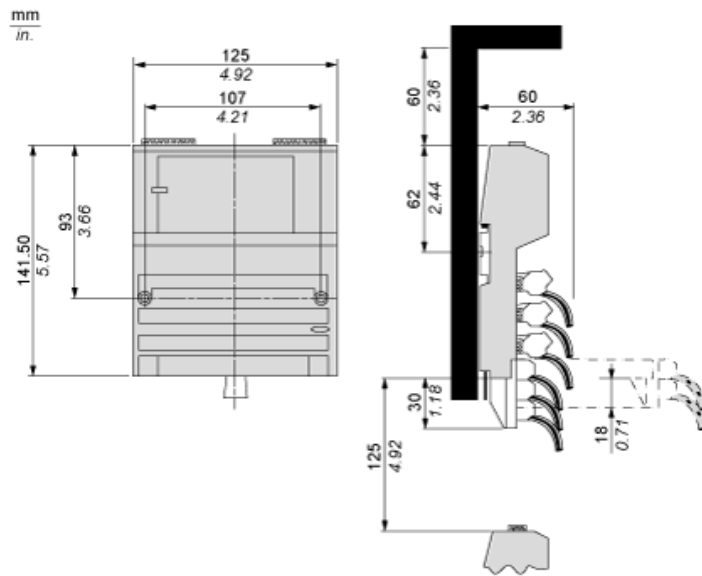
RoHS (date code: YYWW)	Will be compliant on 4Q2013 Will be compliant on 4Q2013
------------------------	--

Contractual warranty

Warranty period	18 months
-----------------	-----------

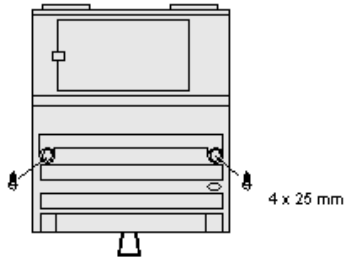
Standard Adapter on a Typical Base

Dimensions



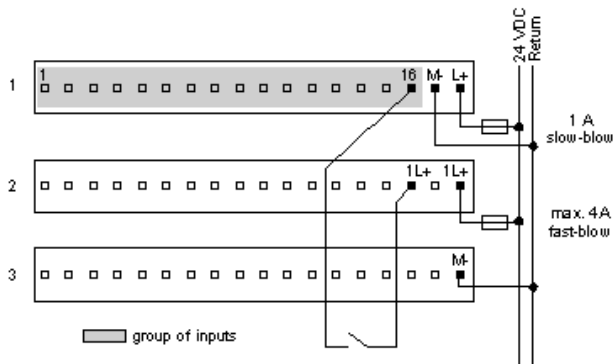
170ADI34000C

Mounting on a Wall

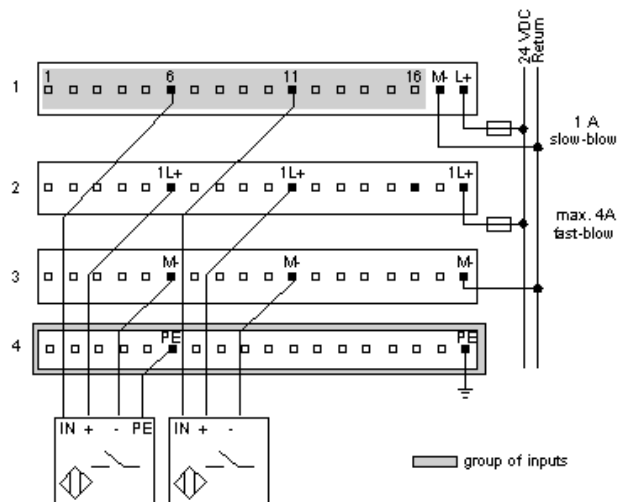


External Wiring Diagrams

2-Wire Device



3- and 4-Wire Devices



170ADI34000C

Internal Pin Connections

Rows 1 through 3 show the internal connections between terminals on the I/O base. Row 4 shows the internal connections on the optional busbar.

