



Main

Range of product	Modicon Momentum automation platform
Product or component type	Discrete inputs base DC
Group of channels	2 groups of 16 inputs
Discrete input number	32 IEC 1131-2 Type 1
Discrete input voltage	24 V DC
Protective treatment	TC

Complementary

Discrete input logic	Positive
Input voltage limits	24 V
Voltage range	- 3...30 V
Voltage state 0 guaranteed	-3...5 V
Voltage state 1 guaranteed	11...30 V
Current state 0 guaranteed	<= 1.2 mA
Current state 1 guaranteed	>= 2.5 mA
Input resistance	4 kOhm
Response time	2.2 ms from state 0 to state 1 3.3 ms from state 1 to state 0
Isolation between channels and bus	500 V AC
Power dissipation	5.5 W typical 8.5 W maximum
Terminals description PLC n°1	(6)IN_DIS#6 (11)IN_DIS#11 (8)IN_DIS#8 (16)IN_DIS#16 (3)IN_DIS#3 (9)IN_DIS#9 (14)IN_DIS#14 (10)IN_DIS#10 (7)IN_DIS#7 (2)IN_DIS#2

170ADI35000

	(15)IN_DIS#15 TB (L+)PW_POS (5)IN_DIS#5 (13)IN_DIS#13 (1)IN_DIS#1 (4)IN_DIS#4 (12)IN_DIS#12 (M-)PW_NEG
Terminals description PLC n°2	(8)IN_DIS#24 (6)IN_DIS#22 (7)IN_DIS#23 (5)IN_DIS#21 (16)IN_DIS#32 (2L+)PW_POS (3)IN_DIS#19 (1)IN_DIS#17 (1L+)PW_POS (4)IN_DIS#20 (10)IN_DIS#26 (14)IN_DIS#30 (13)IN_DIS#29 (9)IN_DIS#25 (11)IN_DIS#27 (15)IN_DIS#31 TB_1 (2)IN_DIS#18 (12)IN_DIS#28
Marking	CE
Local signalling	32 LEDs channel status
Current consumption	<= 250 mA 24 V DC
Depth	47.5 mm
Height	141.5 mm
Width	125 mm
Product weight	0.2 kg

Environment

Product certifications	CSA UL
Resistance to electrostatic discharge	4 kV contact IEC 801-2 8 kV on air IEC 801-2
Resistance to electromagnetic fields	10 V/m 80...1000 MHz IEC 801-3
Ambient air temperature for operation	0...60 °C
Ambient air temperature for storage	-40...85 °C
Relative humidity	95 % without condensation
Operating altitude	<= 5000 m

Offer Sustainability

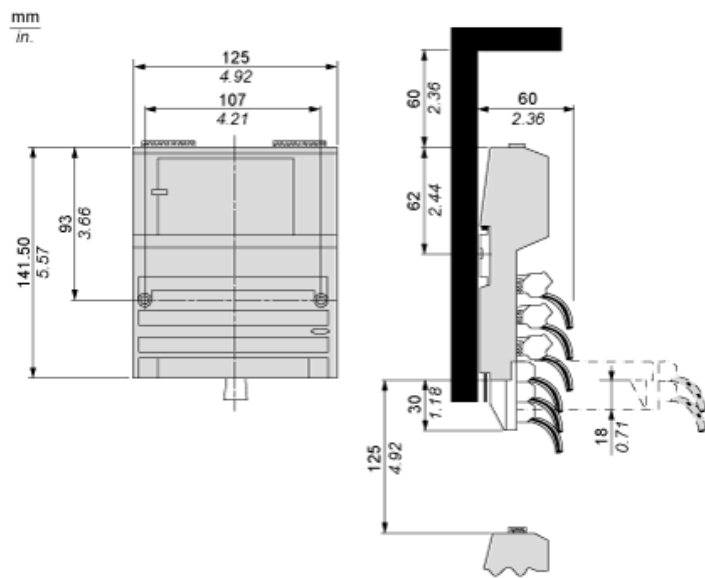
Sustainable offer status	Green Premium product
RoHS (date code: YYWW)	Compliant - since 1350 - Schneider Electric declaration of conformity Schneider Electric declaration of conformity
REACH	Reference not containing SVHC above the threshold Reference not containing SVHC above the threshold
Product environmental profile	Available Product environmental
Product end of life instructions	Available End of life manual

Contractual warranty

Warranty period	18 months
-----------------	-----------

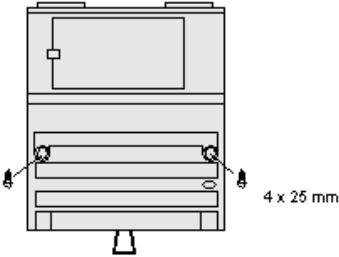
Standard Adapter on a Typical Base

Dimensions



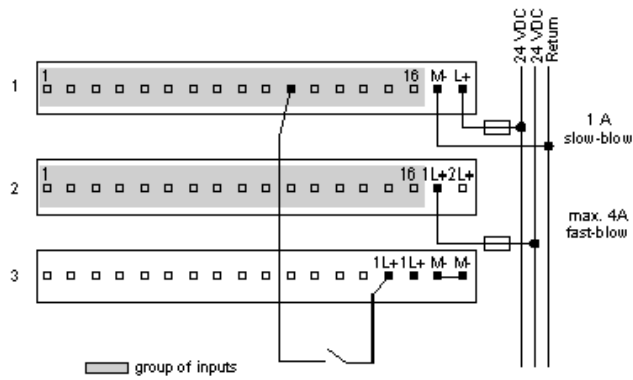
170ADI35000

Mounting on a Wall

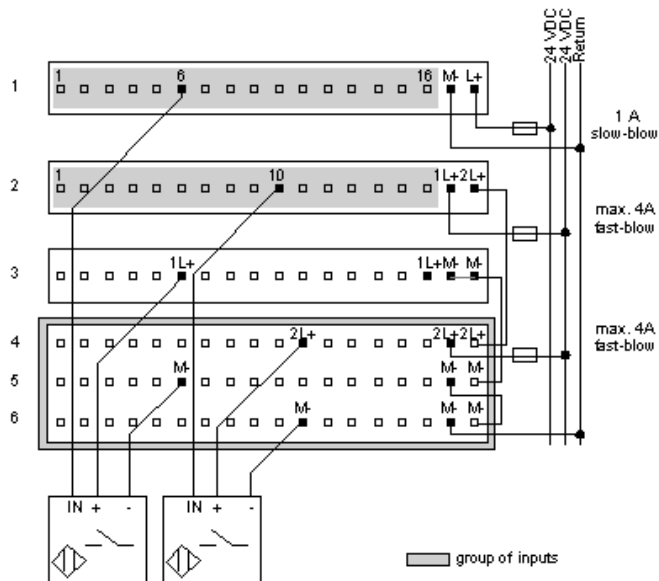


External Wiring Diagrams

2-Wire Device



3-Wire Devices



170ADI35000

Internal Pin Connections

Rows 1 through 3 show the internal connections between terminals on the I/O base. Rows 4 through 6 show the internal connections on the optional busbar.

