



### Main

Range of product	Modicon Momentum automation platform
Product or component type	Discrete inputs base AC
Group of channels	2 groups of 8 inputs
Discrete input number	16 IEC 1131-2 Type 2
Discrete input voltage	120 V AC
Protective treatment	TC

### Complementary

Discrete input logic	Positive
Input voltage limits	85...132 V
Network frequency	47...63 Hz
Voltage range	0...132 V
Voltage state 0 guaranteed	$\leq 20$ V
Voltage state 1 guaranteed	$\geq 74$ V
Current state 0 guaranteed	$\leq 2$ mA
Current state 1 guaranteed	$\geq 10$ mA
Input resistance	7.5 kOhm 60 Hz 9.5 kOhm 50 Hz
Response time	10 ms 60 Hz from state 0 to state 1 35 ms 60 Hz from state 1 to state 0
Isolation between group	1780 V AC
Isolation between channels and bus	1780 V AC
Terminals description PLC n°1	TB (4)IN_DIS#4 (1)IN_DIS#1 (5)IN_DIS#5 (13)IN_DIS#13 (3)IN_DIS#3 (16)IN_DIS#16 (14)IN_DIS#14

170ADI54050

(12)IN\_DIS#12  
 (8)IN\_DIS#8  
 (N)PW  
 (11)IN\_DIS#11  
 (6)IN\_DIS#6  
 (10)IN\_DIS#10  
 (L1)PW  
 (15)IN\_DIS#15  
 (2)IN\_DIS#2  
 (7)IN\_DIS#7  
 (9)IN\_DIS#9

Marking	CE
Local signalling	16 LEDs channel status
Current consumption	<= 125 mA 120 V AC
Depth	47.5 mm
Height	141.5 mm
Width	125 mm
Product weight	0.284 kg

## Environment

Product certifications	UL FM Class 1 Division 2 CSA
Resistance to electrostatic discharge	4 kV contact IEC 801-2 8 kV on air IEC 801-2
Resistance to electromagnetic fields	10 V/m 80...1000 MHz IEC 801-3
Ambient air temperature for operation	0...60 °C
Ambient air temperature for storage	-40...85 °C
Relative humidity	95 % without condensation
Operating altitude	<= 5000 m

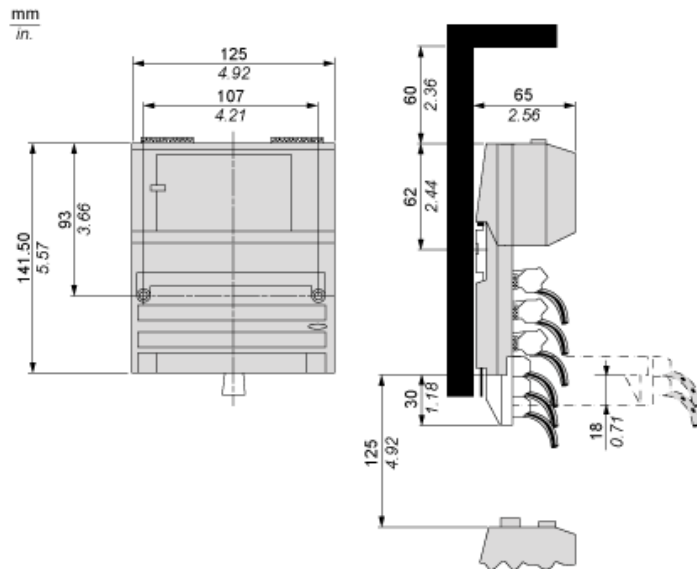
## Offer Sustainability

Sustainable offer status	Green Premium product
RoHS (date code: YYWW)	Compliant - since 1350 - Schneider Electric declaration of conformity <a href="#">Schneider Electric declaration of conformity</a>
REACH	Reference not containing SVHC above the threshold <a href="#">Reference not containing SVHC above the threshold</a>
Product environmental profile	Available <a href="#">Product environmental</a>
Product end of life instructions	Available <a href="#">End of life manual</a>

## Contractual warranty

Warranty period	18 months
-----------------	-----------

Standard Adapter on a Discrete VAC Base

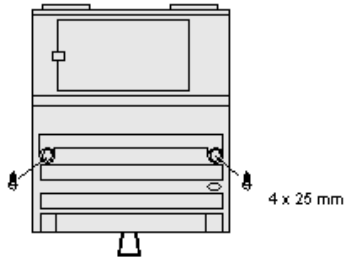


170ADI54050

---

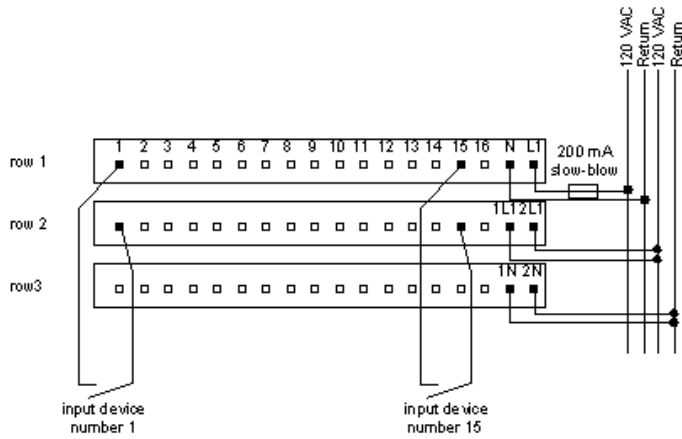
Mounting on a Wall

---

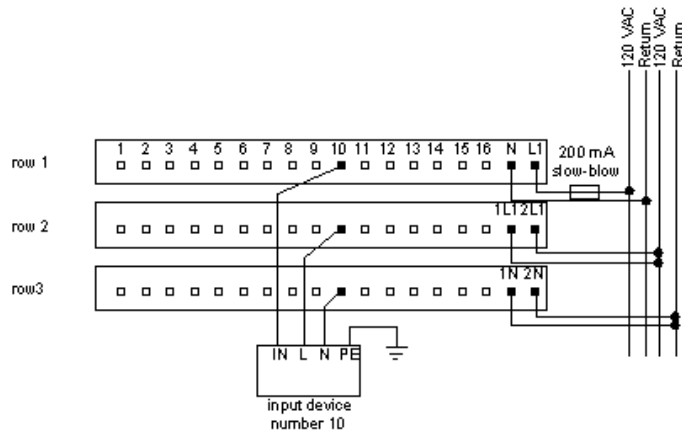


External Wiring Diagrams

2-Wire Devices



3-Wire Device



170ADI54050

Internal Pin Connections

