



Main

| | |
|---------------------------|---|
| Range of product | Modicon Momentum automation platform |
| Product or component type | Discrete solid state I/O base DC |
| Group of channels | 1 group of 16 inputs 2 groups of 8 outputs |
| Discrete input number | 16 IEC 1131-2 Type 1 |
| Discrete input logic | Positive |
| Discrete input voltage | 24 V DC |
| Discrete output number | 16 |
| Discrete output type | Solid state switch |
| Discrete output voltage | ≤ 30 V DC 24 V DC |
| Discrete output logic | Positive |
| Protective treatment | TC |

Complementary

| | |
|----------------------------|--|
| [Us] rated supply voltage | 24 V DC |
| Input voltage limits | - 3...30 V |
| Voltage state 0 guaranteed | -3...5 V |
| Voltage state 1 guaranteed | 11...30 V |
| Current state 0 guaranteed | ≤ 1.2 mA |
| Current state 1 guaranteed | ≥ 2.5 mA |
| Input resistance | 4 kOhm |
| Discrete output current | 4 A per group 8 A per module 0.5 A per point |
| Leakage current | < 1 mA 24 V output circuit |
| Peak output current | 5 A |
| Voltage drop | < 0.5 V 0.5 A at state 1 output circuit |

Disclaimer: This documentation is not intended as a substitute for and is not to be used for determining suitability or reliability of these products for specific user applications

| | |
|------------------------------------|--|
| Fault type | Overload on output |
| Response time | < 0.1 ms from state 0 to state 1 on output < 0.1 ms from state 1 to state 0 on output 2.2 ms from state 0 to state 1 on input 3.3 ms from state 1 to state 0 on input |
| Isolation between channels and bus | 500 V AC |
| Power dissipation | <= 8 W 6 W |
| Marking | CE |
| Terminals description PLC n°1 | (15)IN_DIS#15 (14)IN_DIS#14 (7)IN_DIS#7 (1)IN_DIS#1 TB (13)IN_DIS#13 (L+)PW_POS (11)IN_DIS#11 (10)IN_DIS#10 (6)IN_DIS#6 (3)IN_DIS#3 (16)IN_DIS#16 (8)IN_DIS#8 (9)IN_DIS#9 (12)IN_DIS#12 (4)IN_DIS#4 (2)IN_DIS#2 (5)IN_DIS#5 (M-)PW_NEG |
| Terminals description PLC n°2 | (7)OUT_DIS#7 (14)OUT_DIS#14 (2L+)PW_POS (1)OUT_DIS#1 (3)OUT_DIS#3 (11)OUT_DIS#11 (10)OUT_DIS#10 TB_1 (1L+)PW_POS (5)OUT_DIS#5 (12)OUT_DIS#12 (13)OUT_DIS#13 (4)OUT_DIS#4 (15)OUT_DIS#15 (2)OUT_DIS#2 (9)OUT_DIS#9 (6)OUT_DIS#6 (8)OUT_DIS#8 |
| Local signalling | 16 LEDs channel status |
| Current consumption | 250 mA 24 V DC |
| Depth | 47.5 mm |
| Height | 141.5 mm |
| Width | 125 mm |
| Product weight | 0.2 kg |

Environment

| | |
|---------------------------------------|---|
| Product certifications | CSA UL |
| Resistance to electrostatic discharge | 4 kV contact IEC 801-2 8 kV on air IEC 801-2 |
| Resistance to electromagnetic fields | 10 V/m 80...1000 MHz IEC 801-3 |
| Ambient air temperature for operation | 0...60 °C |
| Ambient air temperature for storage | -40...85 °C |
| Relative humidity | 95 % without condensation |
| Operating altitude | <= 5000 m |

Offer Sustainability

| | |
|----------------------------------|---|
| Sustainable offer status | Green Premium product |
| RoHS (date code: YYWW) | Compliant - since 0901 - Schneider Electric declaration of conformity Schneider Electric declaration of conformity |
| REACH | Reference not containing SVHC above the threshold Reference not containing SVHC above the threshold |
| Product environmental profile | Available Product environmental |
| Product end of life instructions | Available End of life manual |

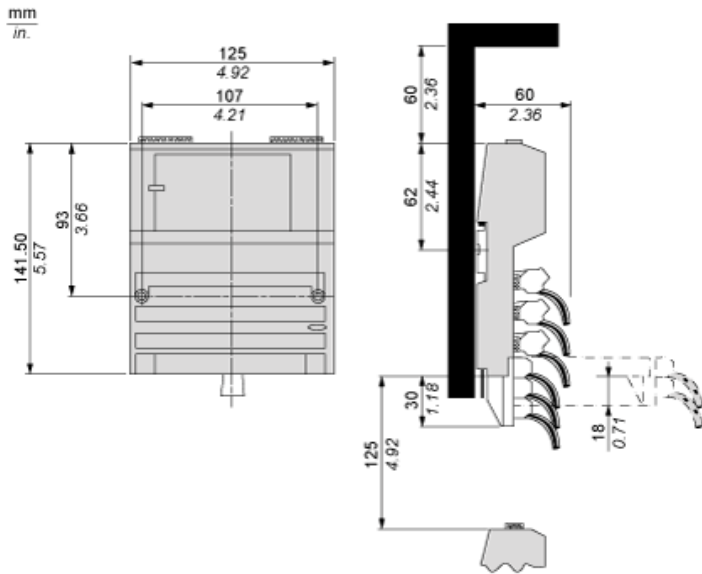
Contractual warranty

| | |
|-----------------|-----------|
| Warranty period | 18 months |
|-----------------|-----------|

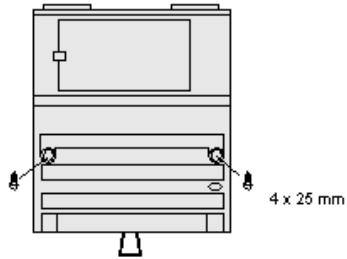
170ADM35010

Standard Adapter on a Typical Base

Dimensions



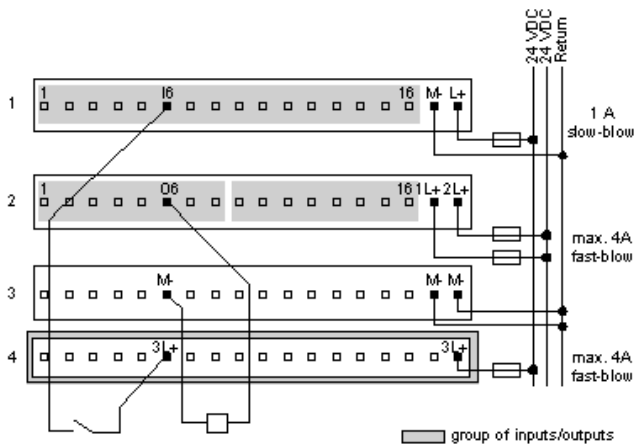
Mounting on a Wall



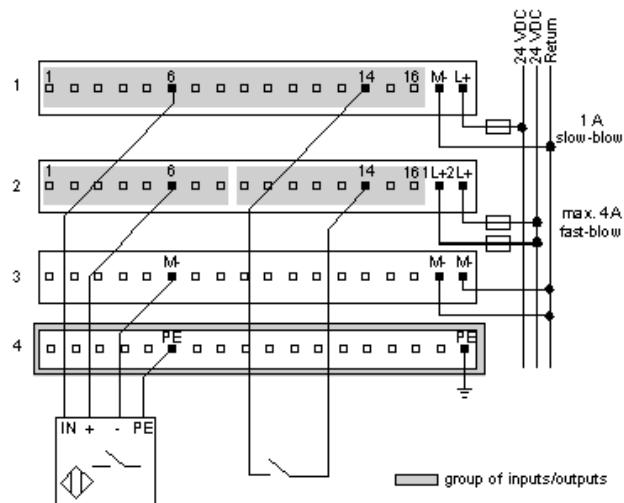
170ADM35010

External Wiring Diagrams

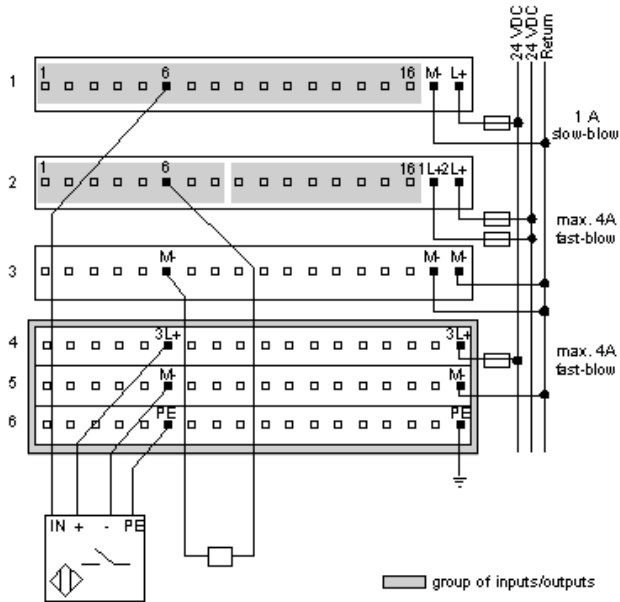
2-Wire Devices



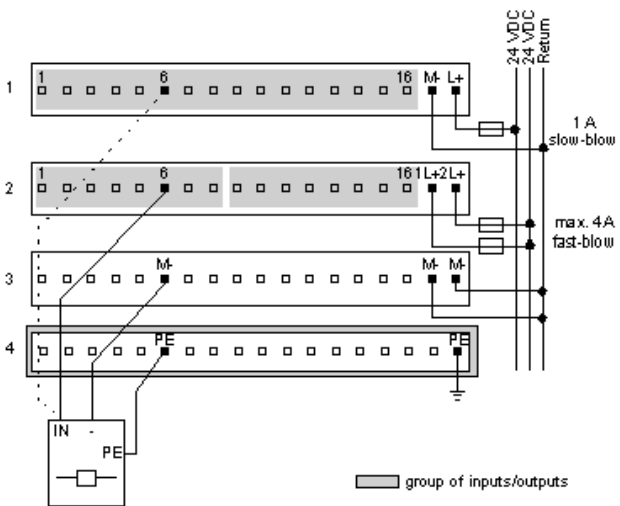
Sensor Activated by Output



Four-Wire Sensor with a Two-Wire Actuator



Broken Wire Detection



170ADM35010

Internal Pin Connections

Rows 1 through 3 show the internal connections between terminals on the I/O base. Rows 4 through 6 show the internal connections on the optional busbar.

