



Main

Range of product	Modicon Momentum automation platform
Product or component type	Discrete relay I/O base DC
Group of channels	2 groups of 4 outputs 1 group of 10 inputs
Discrete input number	10 IEC 1131-2 Type 1
Discrete input logic	Positive
Discrete input voltage	20...115 V AC
Discrete output number	8
Discrete output type	Relay normally open
Discrete output voltage	20...115 V DC
Protective treatment	TC

Complementary

[Us] rated supply voltage	24 V DC
Input voltage limits	- 3...30 V
Network frequency	47...63 Hz
Voltage state 0 guaranteed	-3...5 V
Voltage state 1 guaranteed	11...30 V
Current state 0 guaranteed	<= 1.2 mA
Current state 1 guaranteed	>= 2.5 mA
Input resistance	4 kOhm
Discrete output current	<= 0.15 mA 115 V inductive <= 0.5 mA 115 V resistive <= 1 mA 24 V inductive <= 2 mA 24 V resistive >= 0.005 A 24 V
Leakage current	< 1 mA 230 V output circuit
Mechanical durability	<= 30000000 cycles
Electrical durability	<= 100000 cycles inductive

Response time	2.2 ms from state 0 to state 1 on input 3.3 ms from state 1 to state 0 on input 10 ms 60 Hz from state 0 to state 1 on output 10 ms 60 Hz from state 1 to state 0 on output
Isolation between channels and bus	500 V AC
Power dissipation	<= 8.5 W 5.5 W
Protection type	Without protection
Associated fuse rating	<= 4 A fast blow input voltage <= 8 A slow-blow output voltage per group 375 mA fast blow operating voltage
Marking	CE
Terminals description PLC n°1	(L+)PW_POS (10)IN_DIS#10 (1L+)PW_POS (2)IN_DIS#2 (4)IN_DIS#4 (1)IN_DIS#1 (8)IN_DIS#8 (7)IN_DIS#7 (5)IN_DIS#5 TB (6)IN_DIS#6 (3)IN_DIS#3 (9)IN_DIS#9 (M-)PW_NEG
Terminals description PLC n°2	(6)OUT_DIS#6 TB_1 (7)OUT_DIS#7 (3)OUT_DIS#3 (1)OUT_DIS#1 (1L+)PW (4)OUT_DIS#4 (8)OUT_DIS#8 (2)OUT_DIS#2 (5)OUT_DIS#5 (2L1)PW
Current consumption	250 mA 24 V DC
Depth	47.5 mm
Height	141.5 mm
Width	125 mm
Product weight	0.26 kg

Environment

Product certifications	UL CSA
Resistance to electrostatic discharge	4 kV contact IEC 801-2 8 kV on air IEC 801-2
Resistance to electromagnetic fields	10 V/m 80...1000 MHz IEC 801-3
Ambient air temperature for operation	0...60 °C
Ambient air temperature for storage	-40...85 °C
Relative humidity	95 % without condensation
Operating altitude	<= 5000 m

Offer Sustainability

Sustainable offer status	Green Premium product
RoHS (date code: YYWW)	Compliant - since 1350 - Schneider Electric declaration of conformity Schneider Electric declaration of conformity
REACH	Reference not containing SVHC above the threshold Reference not containing SVHC above the threshold
Product environmental profile	Available

 Product environmental

Product end of life instructions

Available

 End of life manual

Contractual warranty

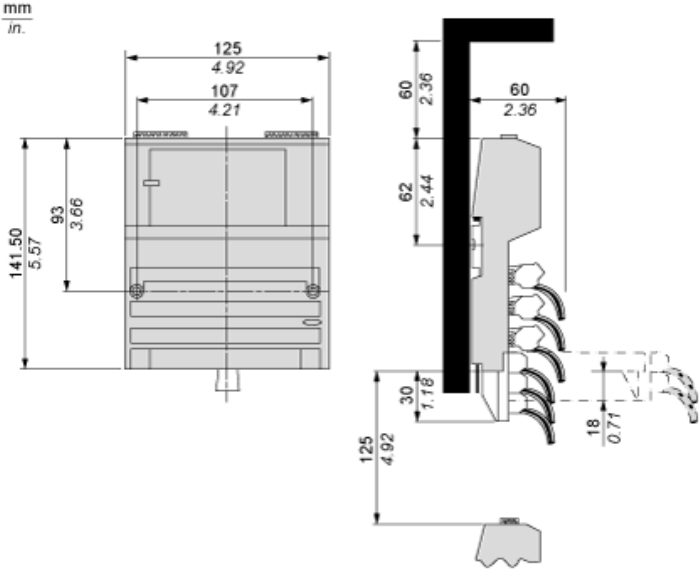
Warranty period

18 months

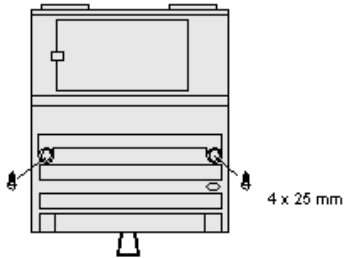
170ADM39030

Standard Adapter on a Typical Base

Dimensions



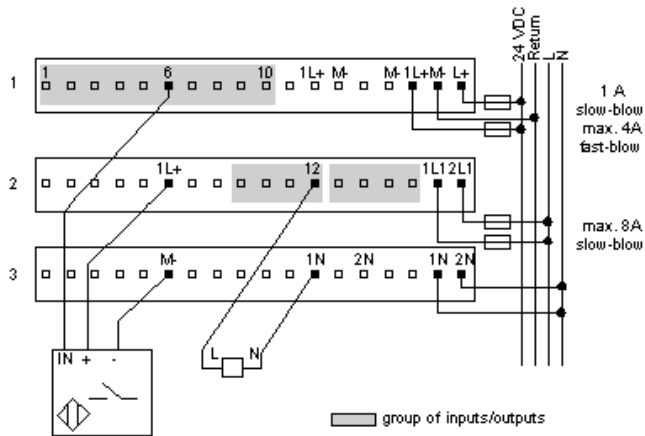
Mounting on a Wall



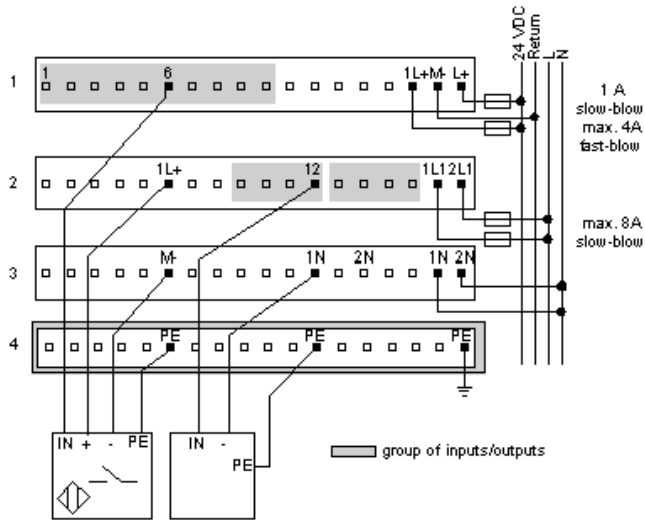
170ADM39030

External Wiring Diagrams

3-Wire Sensor with a 2-Wire Actuator

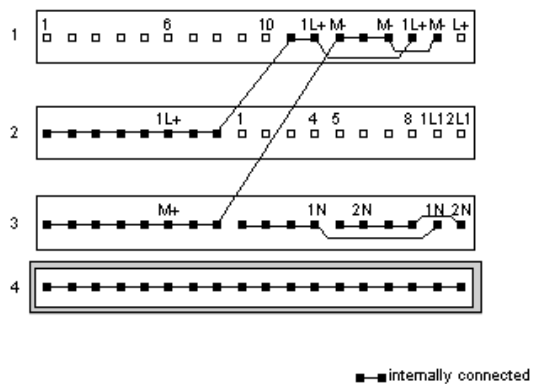


4-Wire Sensor with a 3-Wire Actuator



Internal Pin Connections

Rows 1 through 3 show the internal connections between terminals on the I/O base. Row 4 shows the internal connections on the optional busbar.



170ADM39030