



### Main

Range of product	Modicon Momentum automation platform
Product or component type	Modbus I/O module base
Group of channels	1 group of 3 discrete outputs 1 group of 6 discrete inputs
Discrete input number	6
Discrete output number	3
Number of port	1
Communication port protocol	Modbus
Wiring mode	2 or 4 wires

### Complementary

Discrete input logic	Positive
Discrete input voltage	0...132 V AC 120 V AC 47...63 Hz
Input overvoltage protection	200 V
Voltage state 1 guaranteed	$\geq 79$ V
Voltage state 0 guaranteed	$\leq 20$ V
Current state 1 guaranteed	$\geq 5.5$ mA
Current state 0 guaranteed	$\leq 1.9$ mA
Discrete output logic	Positive
Discrete output voltage	120 V 47...63 Hz
Discrete output current	0.5 mA per point 1.5 mA per module
Voltage drop	$< 1.5$ V 0.5 A at state on
Leakage current	1.9 mA AC 120 V
Surge current	$\geq 30$ mA
Response time	$< 12.3$ ms 60 Hz from state 1 to state 0 input circuit $< 12.3$ ms 60 Hz from state 1 to state 0 output circuit $< 12.5$ ms 60 Hz from state 0 to state 1 input circuit

< 12.5 ms 60 Hz from state 0 to state 1 output circuit

Communication port support	RS485
Transmission rate	19200 bit/s 9600 bit/s
Data format	7-bit ASCII 8-bit RTU
Number of addresses	0...247
Port timeout	150 ms
Marking	CE
Electrical connection	2 connectors for removable terminal blocks
Current consumption	125 mA 120 V
Product weight	0.24 kg

## Environment

Product certifications	CSA UL
Protective treatment	TC
Resistance to electrostatic discharge	4 kV contact IEC 801-2 8 kV on air IEC 801-2
Resistance to electromagnetic fields	10 V/m 80...1000 MHz IEC 801-3
Ambient air temperature for operation	0...60 °C
Ambient air temperature for storage	-40...85 °C
Relative humidity	95 % without condensation
Operating altitude	<= 5000 m

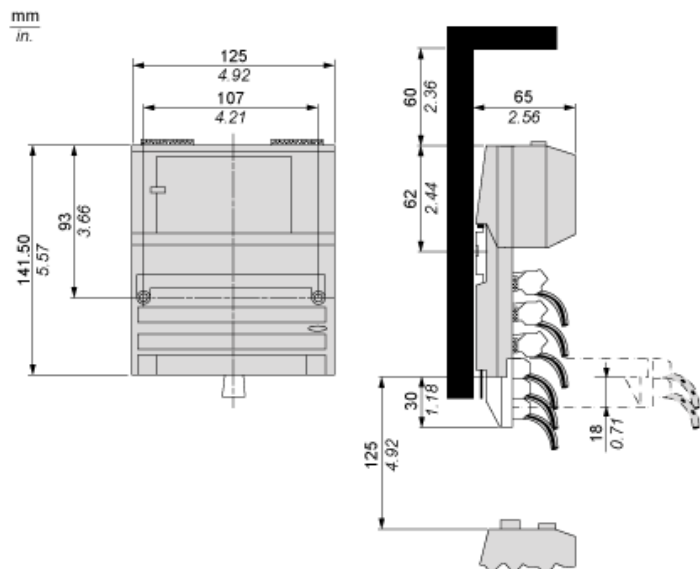
## Offer Sustainability

Sustainable offer status	Green Premium product
RoHS (date code: YYWW)	Compliant - since 1350 - Schneider Electric declaration of conformity <a href="#">Schneider Electric declaration of conformity</a>
REACH	Reference not containing SVHC above the threshold <a href="#">Reference not containing SVHC above the threshold</a>
Product environmental profile	Available <a href="#">Product environmental</a>
Product end of life instructions	Available <a href="#">End of life manual</a>

## Contractual warranty

Warranty period	18 months
-----------------	-----------

Standard Adapter on a Discrete VAC Base

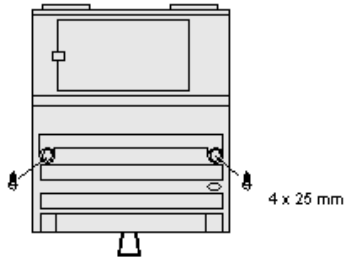


170ADM54080

---

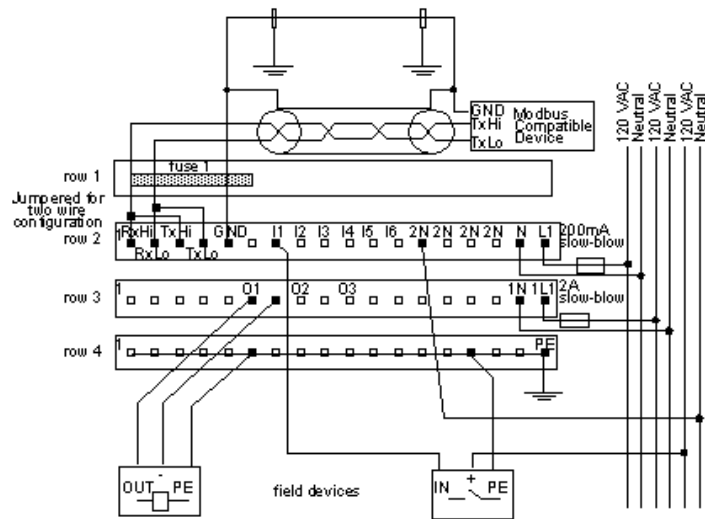
Mounting on a Wall

---



## External Wiring Diagram

### 2-Wire Devices



# 170ADM54080

Internal Pin Connections

Rows 1 through 3 show the internal connections between terminals on the I/O base. Row 4 shows the internal connections on the optional busbar.

