



Main

| | |
|---------------------------|--|
| Range of product | Modicon Momentum automation platform |
| Product or component type | Discrete triac I/O base AC |
| Group of channels | 1 group of 8 outputs 1 group of 10 inputs |
| Discrete input number | 10 IEC 1131-2 Type 2 |
| Discrete input logic | Positive |
| Discrete input voltage | 120 V AC |
| Discrete output number | 8 |
| Discrete output type | Triac |
| Discrete output voltage | 120...132 V DC |
| Discrete output logic | Positive |
| Protective treatment | TC |

Complementary

| | |
|----------------------------|--|
| [Us] rated supply voltage | 120 V AC |
| Input voltage limits | 74...132 V |
| Network frequency | 47...63 Hz |
| Voltage state 0 guaranteed | < 20 V |
| Voltage state 1 guaranteed | > 74 V |
| Current state 0 guaranteed | <= 2.6 mA |
| Current state 1 guaranteed | >= 6 mA |
| Input resistance | 4 kOhm |
| Discrete output current | 2 A per group 4 A per module 30 mA...0.5 A per point |
| Leakage current | < 1.3 mA 120 V output circuit |
| Voltage drop | < 1.5 V 0.5 A at state 1 output circuit |
| Operating rate | 3000 cyc/h 0.5 A inductive |

Disclaimer: This documentation is not intended as a substitute for and is not to be used for determining suitability or reliability of these products for specific user applications

| | |
|------------------------------------|--|
| Response time | 1/2 x 1/f from state 0 to state 1 on input 1/2 x 1/f from state 0 to state 1 on output 1/2 x 1/f from state 1 to state 0 on input 1/2 x 1/f from state 1 to state 0 on output |
| Isolation between channels and bus | 1780 V AC |
| Power dissipation | 6 W <= 8 W |
| Protection type | Internal 2 x 2.5 A slow-blow fuses |
| Marking | CE |
| Terminals description PLC n°1 | (3)IN_DIS#3 (L1)PW (8)IN_DIS#8 (9)IN_DIS#9 TB (7)IN_DIS#7 (1)IN_DIS#1 (2)IN_DIS#2 (6)IN_DIS#6 (4)IN_DIS#4 (N)PW (10)IN_DIS#10 (5)IN_DIS#5 |
| Terminals description PLC n°2 | (1)OUT_DIS#1 (1N)PW (5)OUT_DIS#5 (7)OUT_DIS#7 (4)OUT_DIS#4 (1L1)PW TB_1 (8)OUT_DIS#8 (2)OUT_DIS#2 (6)OUT_DIS#6 (3)OUT_DIS#3 |
| Current consumption | 160 mA 120 V AC |
| Depth | 47.5 mm |
| Height | 141.5 mm |
| Width | 125 mm |
| Product weight | 0.22 kg |

Environment

| | |
|---------------------------------------|---|
| Product certifications | CSA UL |
| Resistance to electrostatic discharge | 4 kV contact IEC 801-2 8 kV on air IEC 801-2 |
| Resistance to electromagnetic fields | 10 V/m 80...1000 MHz IEC 801-3 |
| Ambient air temperature for operation | 0...60 °C |
| Ambient air temperature for storage | -40...85 °C |
| Relative humidity | 95 % without condensation |
| Operating altitude | <= 5000 m |

Offer Sustainability

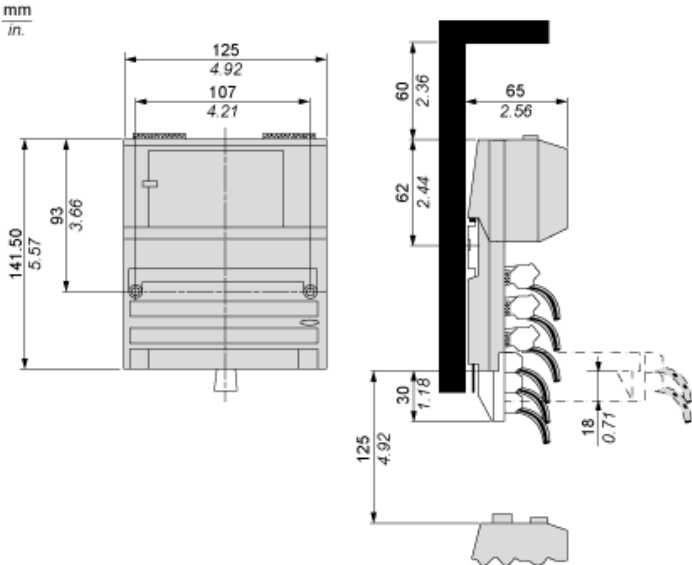
| | |
|----------------------------------|---|
| Sustainable offer status | Green Premium product |
| RoHS (date code: YYWW) | Compliant - since 1350 - Schneider Electric declaration of conformity Schneider Electric declaration of conformity |
| REACH | Reference not containing SVHC above the threshold Reference not containing SVHC above the threshold |
| Product environmental profile | Available Product environmental |
| Product end of life instructions | Available End of life manual |

Contractual warranty

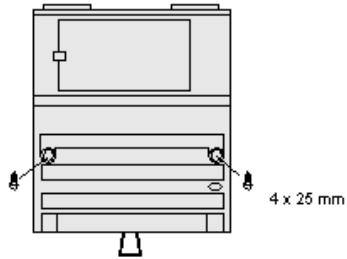
| | |
|-----------------|-----------|
| Warranty period | 18 months |
|-----------------|-----------|

170ADM69051

Standard Adapter on a Discrete VAC Base



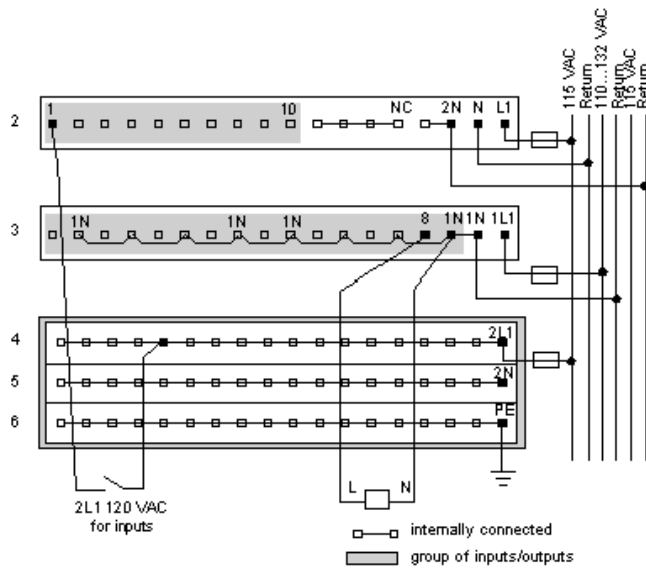
Mounting on a Wall



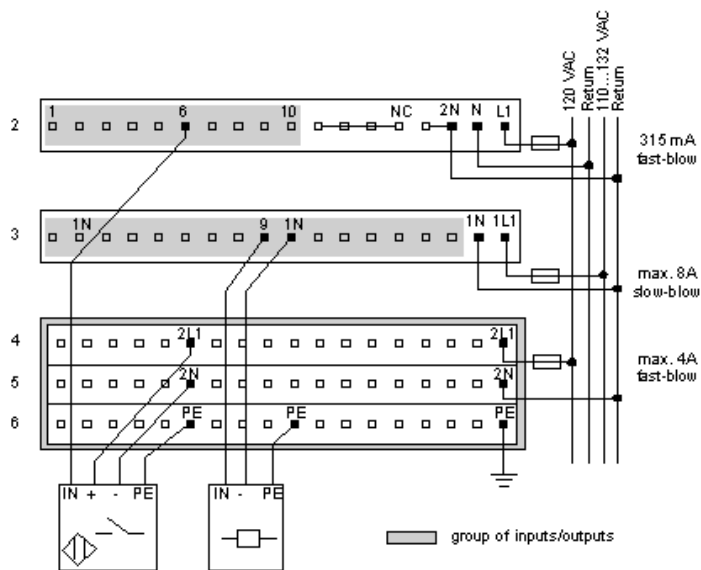
170ADM69051

External Wiring Diagrams

2-Wire Sensor with a 2-Wire Actuator

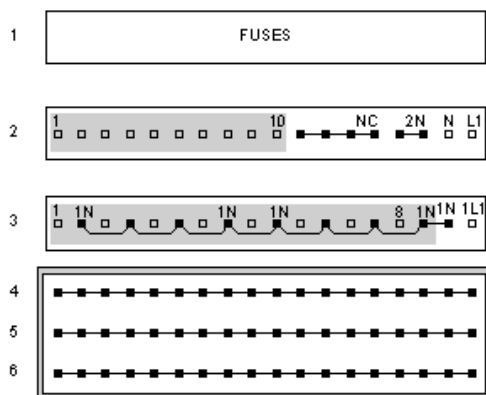


4-Wire Sensor with a 3-Wire Actuator



Internal Pin Connections

Rows 1 through 3 show the internal connections between terminals on the I/O base. Rows 4 through 6 show the internal connections on the optional busbar.



170ADM69051