



### Main

Range of product	Modicon Momentum automation platform
Product or component type	Discrete output base DC
Group of channels	2 groups of 8 outputs
Discrete output number	16
Discrete output type	Solid state switch
Discrete output voltage	24 V DC
Current per channel	$\leq 0.5$ A
Short-circuit protection	Outputs electronically protected
Protective treatment	TC

### Complementary

[Ue] rated operational voltage	24 V DC
Discrete output current	4 A per group 8 A per module
Leakage current	$< 1$ mA 24 V DC
Surge current	5 A 1 ms
Voltage drop	$< 0.5$ V 0.5 A at state 1
Output overload protection	Outputs electronically protected
Response time	0.1 ms from state 0 to state 1 0.1 ms from state 1 to state 0
Isolation between channels and bus	500 V AC
Power dissipation	3.5 W typical 4.5 W maximum
Marking	CE
Local signalling	16 LEDs channel status
Current consumption	250 mA 24 V DC
Terminals description PLC n°1	(5)OUT_DIS#5 (7)OUT_DIS#7 (3)OUT_DIS#3

(13)OUT\_DIS#13  
 (4)OUT\_DIS#4  
 (8)OUT\_DIS#8  
 (L+)PW\_POS  
 (11)OUT\_DIS#11  
 (14)OUT\_DIS#14  
 (1)OUT\_DIS#1  
 (1L+)PW\_POS  
 (6)OUT\_DIS#6  
 (M-)PW\_NEG  
 (12)OUT\_DIS#12  
 (9)OUT\_DIS#9  
 (10)OUT\_DIS#10  
 TB  
 (2L+)PW\_POS  
 (15)OUT\_DIS#15  
 (16)OUT\_DIS#16  
 (2)OUT\_DIS#2

Depth	47.5 mm
Height	141.5 mm
Width	125 mm
Product weight	0.21 kg

## Environment

Product certifications	FM Class 1 Division 2 UL CSA
Resistance to electrostatic discharge	4 kV contact IEC 801-2 8 kV on air IEC 801-2
Resistance to electromagnetic fields	10 V/m 80...1000 MHz IEC 801-3
Ambient air temperature for operation	0...60 °C
Ambient air temperature for storage	-40...85 °C
Relative humidity	95 % without condensation
Operating altitude	<= 5000 m

## Offer Sustainability

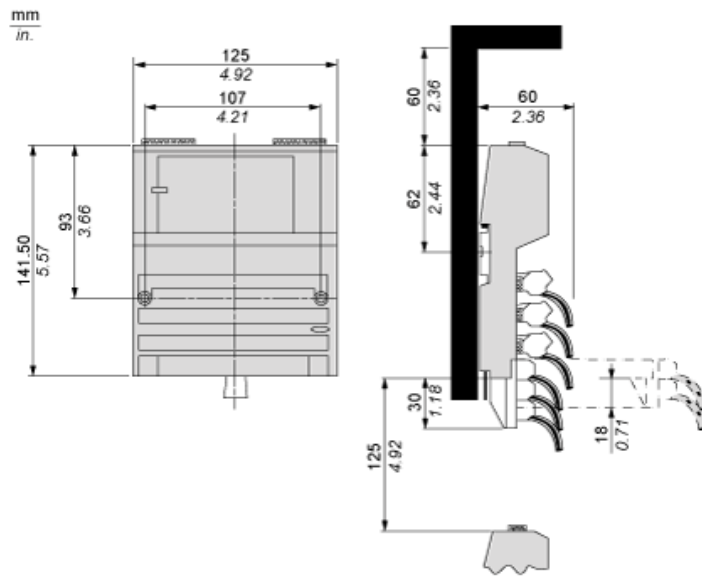
Sustainable offer status	Green Premium product
RoHS (date code: YYWW)	Compliant - since 1350 - Schneider Electric declaration of conformity <a href="#">Schneider Electric declaration of conformity</a>
REACH	Reference not containing SVHC above the threshold <a href="#">Reference not containing SVHC above the threshold</a>
Product environmental profile	Available <a href="#">Product environmental</a>
Product end of life instructions	Available <a href="#">End of life manual</a>

## Contractual warranty

Warranty period	18 months
-----------------	-----------

Standard Adapter on a Typical Base

Dimensions

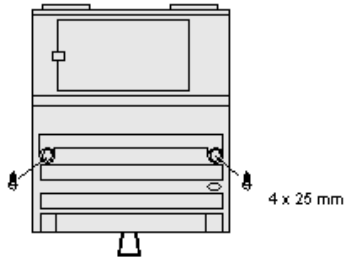


170ADO34000

---

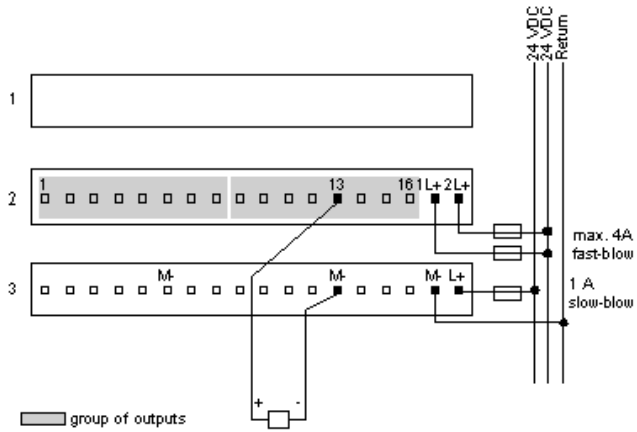
Mounting on a Wall

---

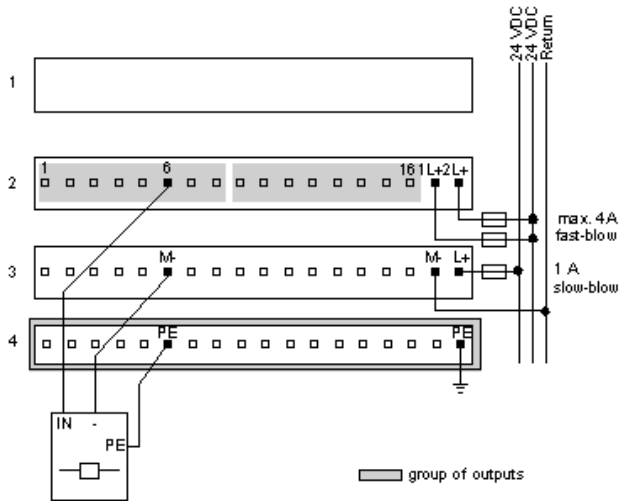


External Wiring Diagrams

2-Wire Actuator



3-Wire Actuator



170ADO34000

Internal Pin Connections

Rows 1 through 3 show the internal connections between terminals on the I/O base. Row 4 shows the internal connections on the optional busbar.

