



### Main

Range of product	Modicon Momentum automation platform
Product or component type	Discrete output base DC
Group of channels	2 groups of 8 outputs
Discrete output number	16
Discrete output type	Solid state switch
Discrete output voltage	24 V DC
Current per channel	$\leq 0.5$ A
Short-circuit protection	Outputs electronically protected
Protective treatment	TC Conformal coating Humiseal 1A33

### Complementary

[Ue] rated operational voltage	24 V DC
Discrete output current	4 A per group 8 A per module
Leakage current	$< 1$ mA 24 V DC
Surge current	5 A 1 ms
Voltage drop	$< 0.5$ V 0.5 A at state 1
Output overload protection	Outputs electronically protected
Response time	0.1 ms from state 0 to state 1 0.1 ms from state 1 to state 0
Isolation between channels and bus	500 V AC
Power dissipation	4.5 W maximum 3.5 W typical
Marking	CE
Local signalling	16 LEDs channel status
Current consumption	250 mA 24 V DC
Terminals description PLC n°1	(1)OUT_DIS#1 (13)OUT_DIS#13 (11)OUT_DIS#11 (3)OUT_DIS#3 TB (12)OUT_DIS#12 (1L+)PW_POS (10)OUT_DIS#10

170ADO34000C

(2)OUT\_DIS#2  
(6)OUT\_DIS#6  
(4)OUT\_DIS#4  
(2L+)PW\_POS  
(7)OUT\_DIS#7  
(14)OUT\_DIS#14  
(L+)PW\_POS  
(9)OUT\_DIS#9  
(15)OUT\_DIS#15  
(5)OUT\_DIS#5  
(M-)PW\_NEG  
(8)OUT\_DIS#8  
(16)OUT\_DIS#16

Depth	47.5 mm
Height	141.5 mm
Width	125 mm
Product weight	0.21 kg

## Environment

Product certifications	UL CSA FM Class 1 Division 2
Resistance to electrostatic discharge	4 kV contact IEC 801-2 8 kV on air IEC 801-2
Resistance to electromagnetic fields	10 V/m 80...1000 MHz IEC 801-3
Ambient air temperature for operation	0...60 °C
Ambient air temperature for storage	-40...85 °C
Relative humidity	95 % without condensation
Operating altitude	<= 5000 m

## Offer Sustainability

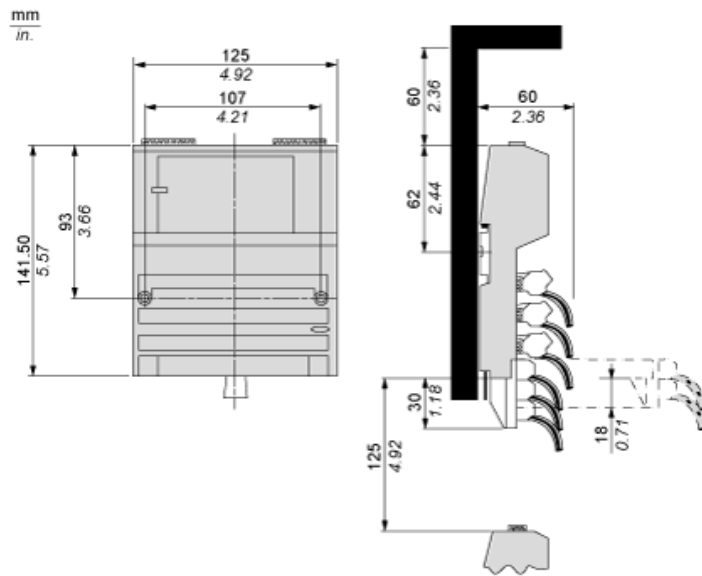
RoHS (date code: YYWW)	Will be compliant on 4Q2013 Will be compliant on 4Q2013
------------------------	--

## Contractual warranty

Warranty period	18 months
-----------------	-----------

Standard Adapter on a Typical Base

Dimensions

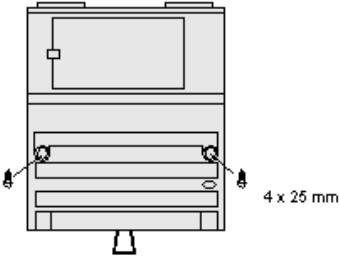


170ADO34000C

---

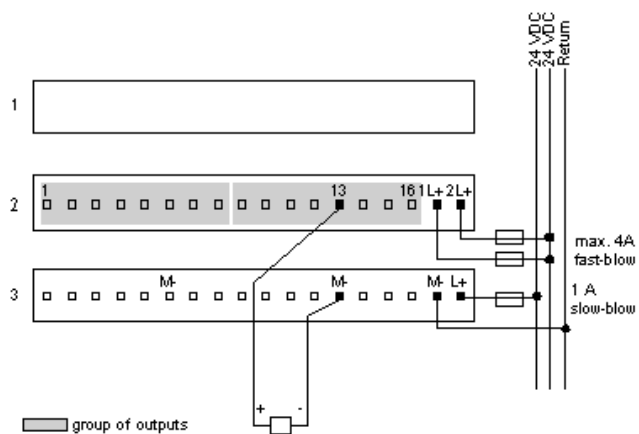
Mounting on a Wall

---

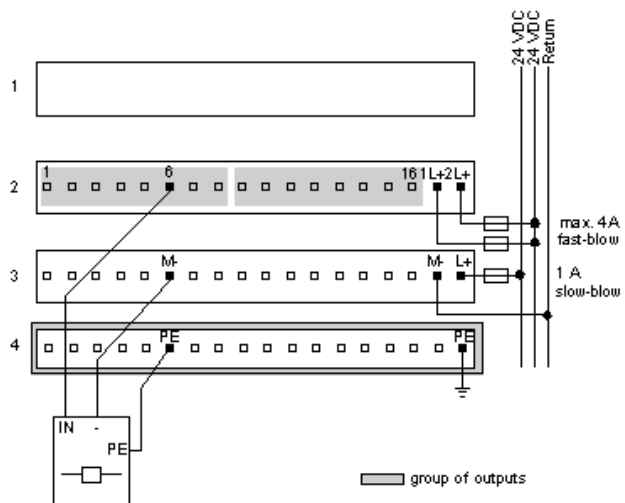


External Wiring Diagrams

2-Wire Actuator



3-Wire Actuator



170ADO34000C

Internal Pin Connections

Rows 1 through 3 show the internal connections between terminals on the I/O base. Row 4 shows the internal connections on the optional busbar.

