



Main

Range of product	Modicon Momentum automation platform
Product or component type	Discrete output base DC
Group of channels	2 groups of 16 outputs
Discrete output number	32
Discrete output type	Solid state switch
Discrete output voltage	24 V DC
Current per channel	≤ 0.5 A
Short-circuit protection	Outputs electronically protected
Protective treatment	TC

Complementary

[Ue] rated operational voltage	24 V DC
Discrete output current	16 A per module 8 A per group
Leakage current	< 1 mA 24 V DC
Surge current	5 A 1 ms
Voltage drop	< 0.5 V 0.5 A at state 1
Output overload protection	Outputs electronically protected
Response time	0.1 ms from state 0 to state 1 0.1 ms from state 1 to state 0
Isolation between channels and bus	500 V AC
Power dissipation	6 W typical 7.5 W maximum
Marking	CE
Local signalling	32 LEDs channel status
Current consumption	250 mA 24 V DC
Terminals description PLC n°1	(11)OUT_DIS#11 (13)OUT_DIS#13 (9)OUT_DIS#9

Disclaimer: This documentation is not intended as a substitute for and is not to be used for determining suitability or reliability of these products for specific user applications

(8)OUT_DIS#8
 (14)OUT_DIS#14
 (4)OUT_DIS#4
 (15)OUT_DIS#15
 (6)OUT_DIS#6
 TB
 (2)OUT_DIS#2
 (M-)PW_NEG
 (5)OUT_DIS#5
 (16)OUT_DIS#16
 (L+)PW_POS
 (7)OUT_DIS#7
 (10)OUT_DIS#10
 (12)OUT_DIS#12
 (1)OUT_DIS#1
 (3)OUT_DIS#3

Terminals description PLC n°2	(4)OUT_DIS#20 (11)OUT_DIS#27 (16)IN_DIS#32 (2)OUT_DIS#18 TB_1 (2L+)PW_POS (12)OUT_DIS#28 (7)OUT_DIS#23 (14)OUT_DIS#30 (3)OUT_DIS#19 (6)OUT_DIS#22 (15)OUT_DIS#31 (13)OUT_DIS#29 (1)OUT_DIS#17 (10)OUT_DIS#26 (9)OUT_DIS#25 (8)OUT_DIS#24 (5)OUT_DIS#21 (1L+)PW_POS
Depth	47.5 mm
Height	141.5 mm
Width	125 mm
Product weight	0.21 kg

Environment

Product certifications	CSA UL
Resistance to electrostatic discharge	4 kV contact IEC 801-2 8 kV on air IEC 801-2
Resistance to electromagnetic fields	10 V/m 80...1000 MHz IEC 801-3
Ambient air temperature for operation	0...60 °C
Ambient air temperature for storage	-40...85 °C
Relative humidity	95 % without condensation
Operating altitude	<= 5000 m

Offer Sustainability

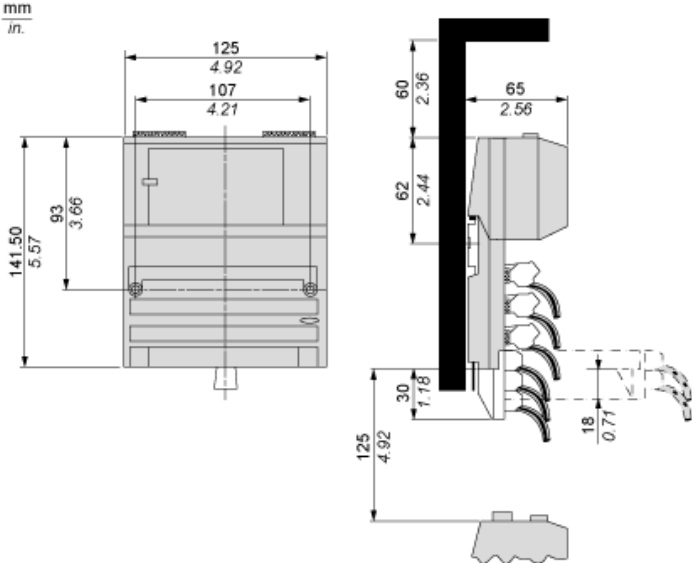
Sustainable offer status	Green Premium product
RoHS (date code: YYWW)	Compliant - since 1350 - Schneider Electric declaration of conformity Schneider Electric declaration of conformity
REACH	Reference not containing SVHC above the threshold Reference not containing SVHC above the threshold
Product environmental profile	Available Available
Product end of life instructions	Available Available

Contractual warranty

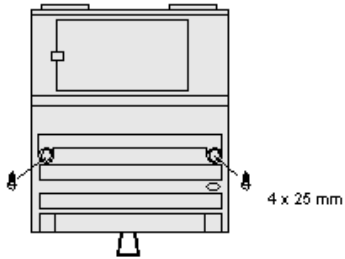
Warranty period	18 months
-----------------	-----------

170ADO53050

Standard Adapter on a Discrete VAC Base



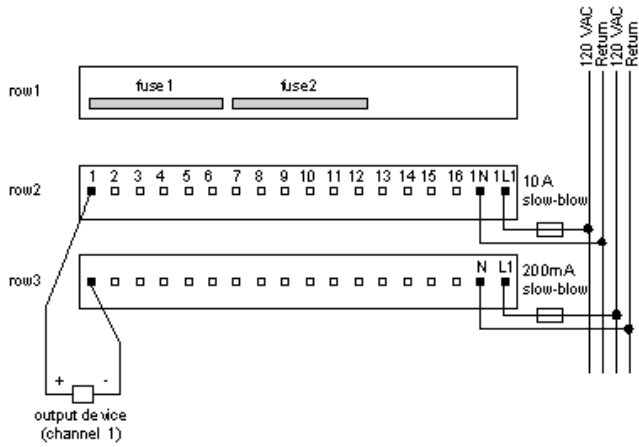
Mounting on a Wall



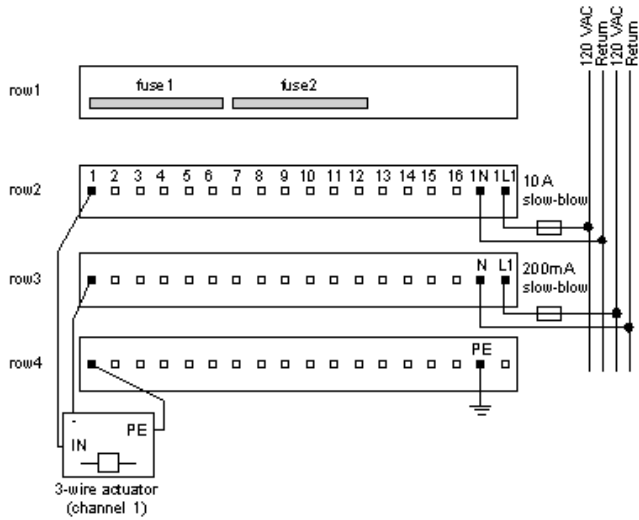
170ADO53050

External Wiring Diagrams

2-Wire Device

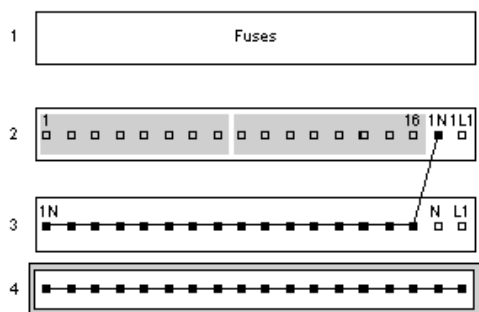


3-Wire Device



Internal Pin Connections

Rows 1 through 3 show the internal connections between terminals on the I/O base. Row 4 shows the internal connections on the optional busbar.



170ADO53050