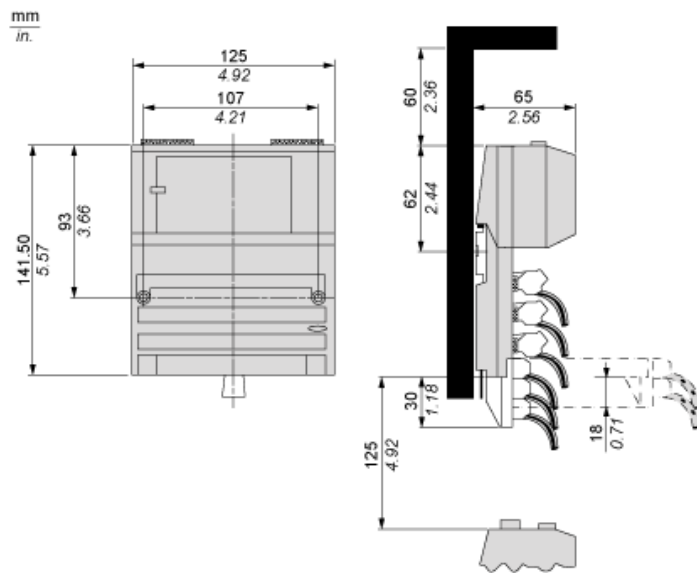




Standard Adapter on a Discrete VAC Base

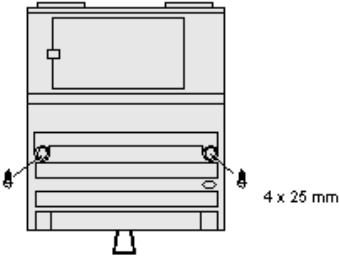


170ADO54050

---

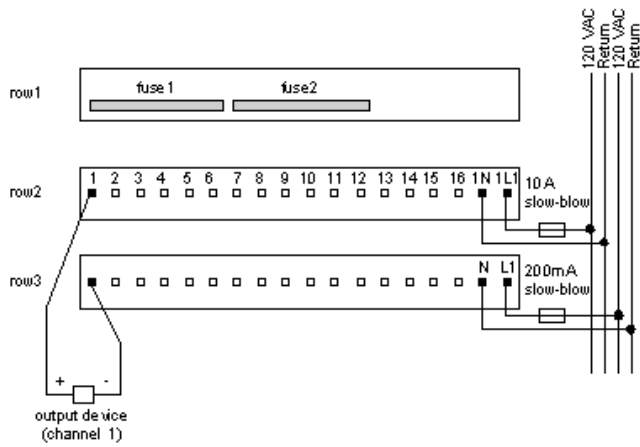
Mounting on a Wall

---

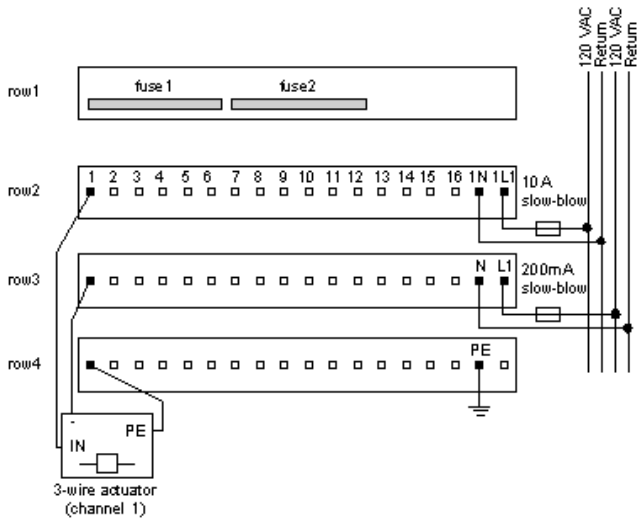


External Wiring Diagrams

2-Wire Device



3-Wire Device



---

Internal Pin Connections

---

Rows 1 through 3 show the internal connections between terminals on the I/O base. Row 4 shows the internal connections on the optional busbar.

