



### Main

Range of product	Modicon Momentum automation platform
Product or component type	Discrete output base AC
Group of channels	2 groups of 4 outputs
Discrete output number	8
Discrete output type	Triac
Discrete output voltage	230 V AC
Current per channel	$\leq 2$ A
Short-circuit protection	Internal fuse, 5 A slow-blow per group
Protective treatment	TC

### Complementary

[Ue] rated operational voltage	230 V AC
Discrete output current	4 A per group 8 A per module
Minimum output current	5 mA
Leakage current	2.5 mA 230 V AC
Surge current	10 A for 2 cycles 15 A for 1 cycle 5 A for 3 cycles
Voltage drop	$< 1.5$ V 2 A at state 1
Output overload protection	Internal fuse
Response time	$1/2 \times 1/f$ (= 0.5 of one line cycle) from state 0 to state 1 $1/2 \times 1/f$ (= 0.5 of one line cycle) from state 1 to state 0
Isolation between channels and bus	1780 V AC for 1 minute
Power dissipation	6 W typical 7.5 W maximum
Marking	CE
Local signalling	8 LEDs channel status
Current consumption	65 mA 230 V AC

Terminals description PLC n°1	(2)OUT_DIS#2 TB (7)OUT_DIS#7 (5)OUT_DIS#5 (3)OUT_DIS#3 (8)OUT_DIS#8 (6)OUT_DIS#6 (1L+)PW (1)OUT_DIS#1 (1N)PW (4)OUT_DIS#4
Depth	47.5 mm
Height	141.5 mm
Width	125 mm
Product weight	0.32 kg

## Environment

Product certifications	UL CSA FM Class 1 Division 2
Resistance to electrostatic discharge	4 kV contact IEC 801-2 8 kV on air IEC 801-2
Resistance to electromagnetic fields	10 V/m 80...1000 MHz IEC 801-3
Ambient air temperature for operation	0...60 °C
Ambient air temperature for storage	-40...85 °C
Relative humidity	95 % without condensation
Operating altitude	<= 5000 m

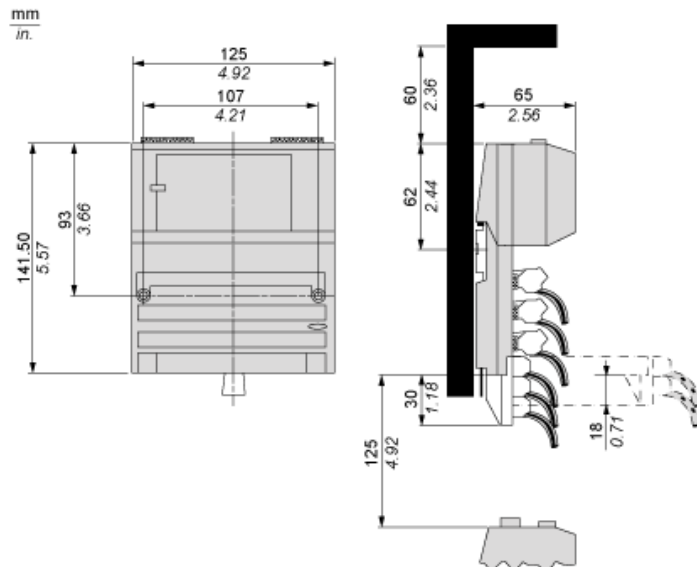
## Offer Sustainability

Sustainable offer status	Green Premium product
RoHS (date code: YYWW)	Compliant - since 1350 - Schneider Electric declaration of conformity <a href="#">Schneider Electric declaration of conformity</a>
REACH	Reference not containing SVHC above the threshold <a href="#">Reference not containing SVHC above the threshold</a>
Product environmental profile	Available <a href="#">Product environmental</a>
Product end of life instructions	Available <a href="#">End of life manual</a>

## Contractual warranty

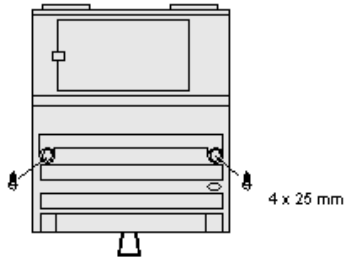
Warranty period	18 months
-----------------	-----------

Standard Adapter on a Discrete VAC Base



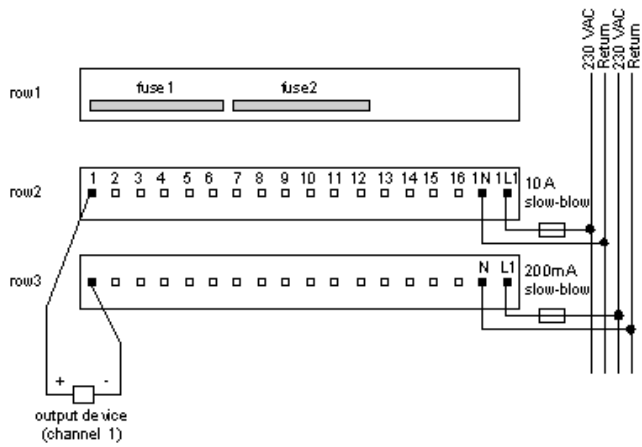
170ADO73050

Mounting on a Wall

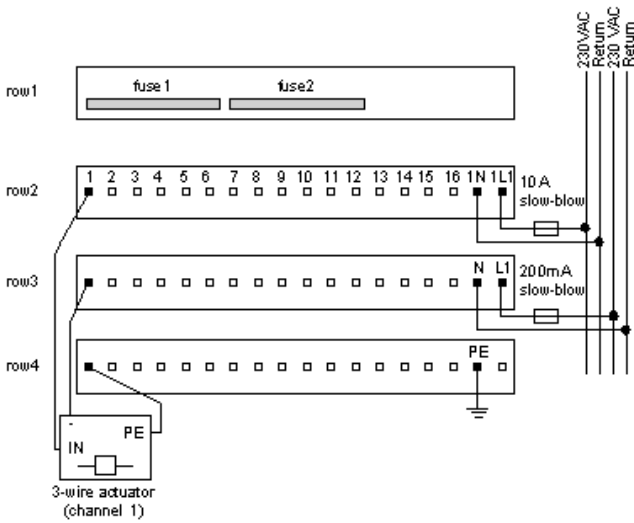


External Wiring Diagrams

2-Wire Device



3-Wire Device



170ADO73050

Internal Pin Connections

Rows 1 through 3 show the internal connections between terminals on the I/O base. Row 4 shows the internal connections on the optional busbar.

