



### Main

Range of product	Modicon Momentum automation platform
Product or component type	High speed counter module base
Group of channels	2 groups of 2 discrete outputs 2 groups of 3 discrete inputs
Number of counter	2
Discrete input number	6
Discrete output number	4

### Complementary

Discrete input logic	Positive
Discrete input voltage	- 3...30 V DC 24 V DC
Input overvoltage protection	45 V 10 s
Voltage state 1 guaranteed	>= 11 V
Voltage state 0 guaranteed	<= 5 V
Current state 1 guaranteed	>= 2.5 mA
Current state 0 guaranteed	<= 1.2 mA
Discrete output logic	Positive
Discrete output voltage	24 V
Discrete output current	1 A per counter 2 A per module 0.5 A per point
Voltage drop	< 0.5 V 0.5 A at state on
Leakage current	< 1 mA DC 24 V
Surge current	5 A 1 ms
Response time	< 0.1 ms from state 0 to state 1 output circuit < 0.1 ms from state 1 to state 0 output circuit 3 ms from state 0 to state 1 input circuit 3 ms from state 1 to state 0 input circuit

Disclaimer: This documentation is not intended as a substitute for and is not to be used for determining suitability or reliability of these products for specific user applications

Counting input type	Absolute SSI up, down with 4 sub-modes Incremental up, down, quadrature
Counting input voltage	24 V single ended 5 V differential
Counting frequency	<= 10 kHz single ended <= 200 kHz differential
Counter inputs resolution	24 bits + sign
Counter configuration	Via comm adapter
Marking	CE
Electrical connection	2 connectors for removable terminal blocks
Current consumption	280 mA 24 V DC
Product weight	0.21 kg

## Environment

Product certifications	UL CSA
Protective treatment	TC
Resistance to electrostatic discharge	4 kV contact IEC 801-2 8 kV on air IEC 801-2
Resistance to electromagnetic fields	10 V/m 80...1000 MHz IEC 801-3
Ambient air temperature for operation	0...60 °C
Ambient air temperature for storage	-40...85 °C
Relative humidity	95 % without condensation
Operating altitude	<= 5000 m

## Offer Sustainability

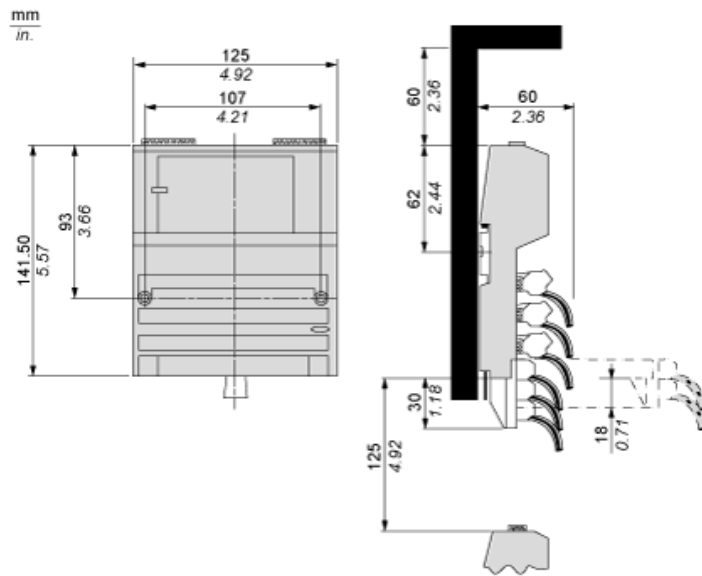
Sustainable offer status	Green Premium product
RoHS (date code: YYWW)	Compliant - since 1039 - Schneider Electric declaration of conformity <a href="#">Schneider Electric declaration of conformity</a>
REACH	Reference not containing SVHC above the threshold <a href="#">Reference not containing SVHC above the threshold</a>
Product environmental profile	Available <a href="#">Product environmental</a>
Product end of life instructions	Available <a href="#">End of life manual</a>

## Contractual warranty

Warranty period	18 months
-----------------	-----------

Standard Adapter on a Typical Base

Dimensions

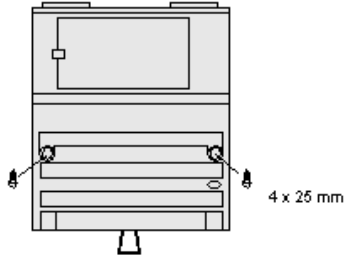


170AEC92000

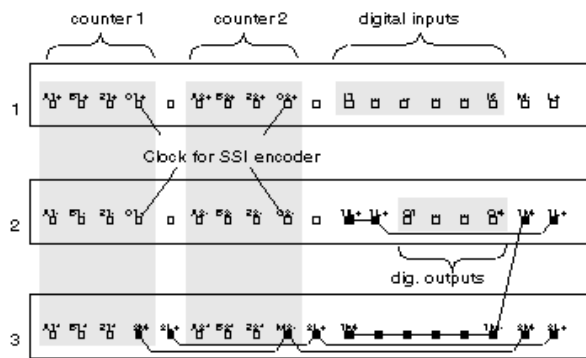
---

Mounting on a Wall

---



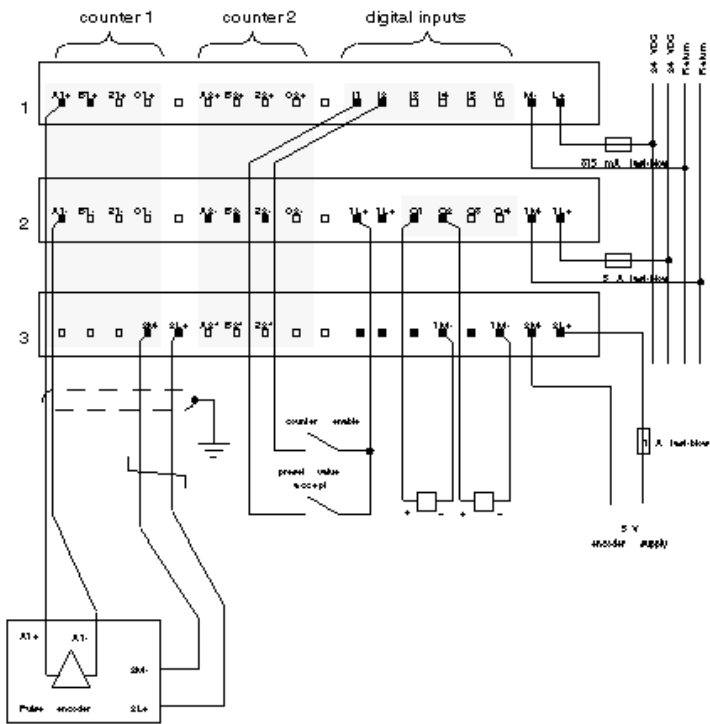
Internal Pin Connections



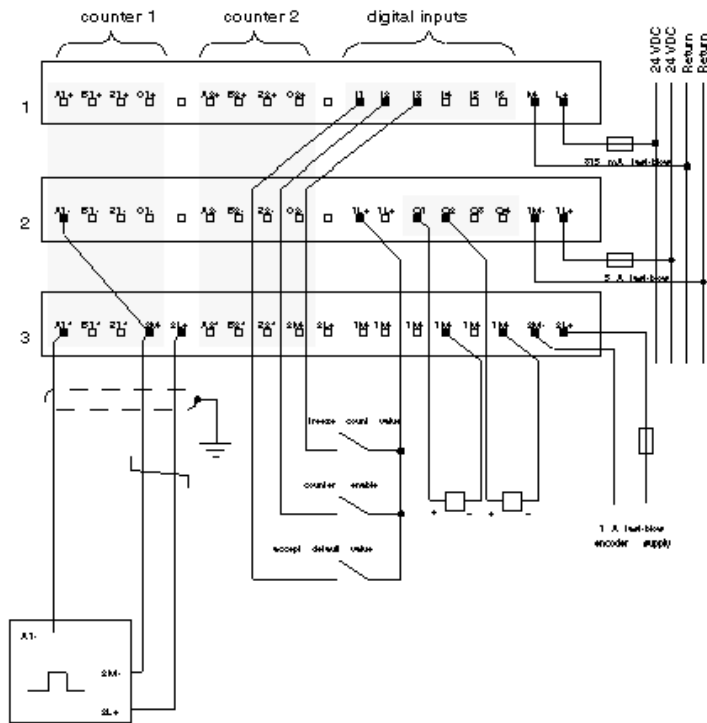
170AEC92000

External Wiring Diagrams

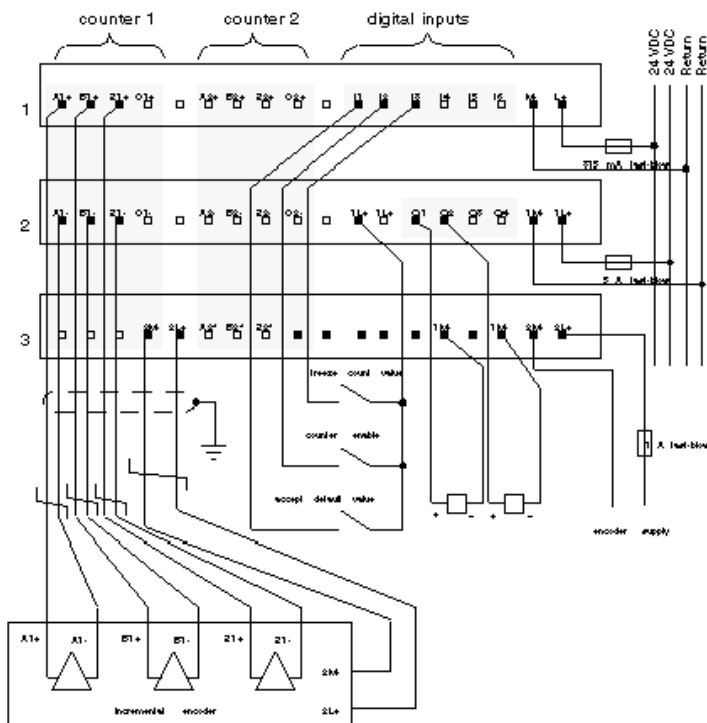
Example for Pulse Encoder (5 V)



### Example for Pulse Encoder (24 V)

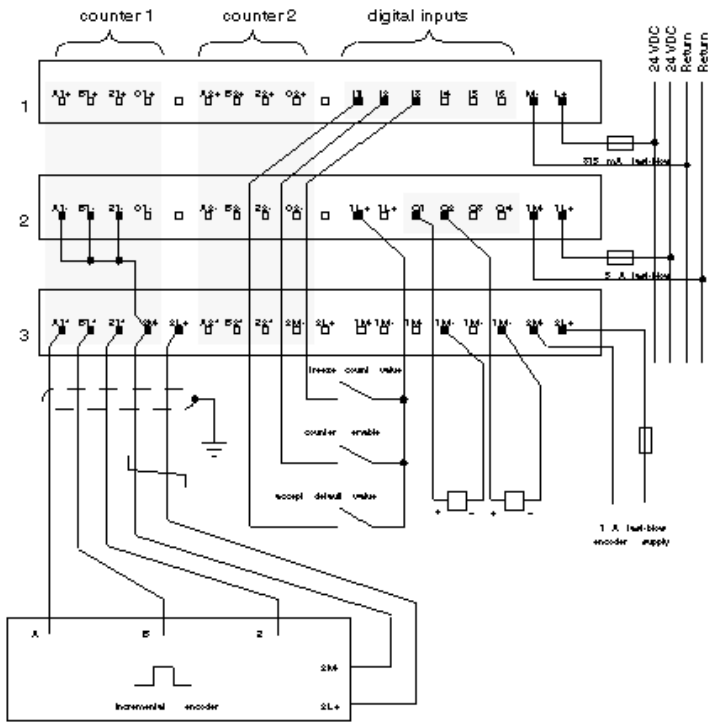


### Example for Incremental Encoders (RS 422)



# 170AEC92000

### Example for 24 V Pulse Encoder on A, B, and R Lines



### Example for Absolute Encoders with Actuators

