



Main

Range of product	Modicon Momentum automation platform
Product or component type	Analogue, Discrete I/O base
Group of channels	1 group of 8 discrete outputs 1 group of 4 analog outputs 2 groups of 4 discrete inputs 1 group of 6 analog inputs
Analogue input range	0...10 V
Analogue input type	Single ended
Analogue input resolution	14 bits 0...10 V
Discrete input voltage	24 V DC
Analogue output range	0...10 V 14 bits
Discrete output voltage	10...30 V
Output short-circuit protection	With discrete output
Output overload protection	With discrete output

Complementary

Discrete input number	8 IEC 1131-2 Type 2
[Us] rated supply voltage	24 V 19.2...30 V DC
Analogue input voltage	<= 15 V
Input voltage limits	3...32 V
Discrete input logic	Positive
Voltage state 0 guaranteed	<= 5 V discrete input
Voltage state 1 guaranteed	>= 11 V discrete input
Current state 0 guaranteed	<= 2 mA discrete input
Current state 1 guaranteed	>= 6 mA discrete input
Input overvoltage protection	45 V 10 s discrete input
Input resistance	> 1 MOhm analogue input circuit
Output load	>= 2 kOhm 0...10 V analogue output

Disclaimer: This documentation is not intended as a substitute for and is not to be used for determining suitability or reliability of these products for specific user applications

Conversion time	<= 0.75 ms analogue input circuit 1.2 ms analogue output
Conversion error	0,002 0...10 V 25 °C analogue input circuit +/- 0.4 % 0...10 V 25 °C analogue output
Fail state	Hold analogue output Reset to zero analogue output
Discrete output type	Transistor
Discrete output logic	Positive
Discrete output current	2 A per group 2 A per module 0.25 A per point
Leakage current	< 0.4 mA DC 30 V discrete output
Voltage drop	< 0.4 V 0.25 A at state on discrete output
Surge current	2.5 A 1 ms discrete output
Response time	1.05 ms from state 1 to state 0 discrete output 1.2 ms from state 0 to state 1 discrete input 1.2 ms from state 0 to state 1 discrete output 1.2 ms from state 1 to state 0 discrete input
Isolation voltage	500 V 1 min between analogue I/O and operating voltage 500 V 1 min between operating voltage and I/O from ground
Power dissipation in W	<= 6 W
Marking	CE
Local signalling	4 LEDs channel status
Electrical connection	2 connectors for removable terminal blocks
Current consumption	400 mA 24 V DC
Depth	47.5 mm
Height	125 mm
Width	141.5 mm
Product weight	0.24 kg

Environment

Product certifications	UL CSA
Protective treatment	TC
Resistance to electrostatic discharge	4 kV contact IEC 801-2 8 kV on air IEC 801-2
Resistance to electromagnetic fields	10 V/m 80...1000 MHz IEC 801-3
Ambient air temperature for operation	0...60 °C
Ambient air temperature for storage	-40...85 °C
Relative humidity	95 % without condensation
Operating altitude	<= 5000 m

Offer Sustainability

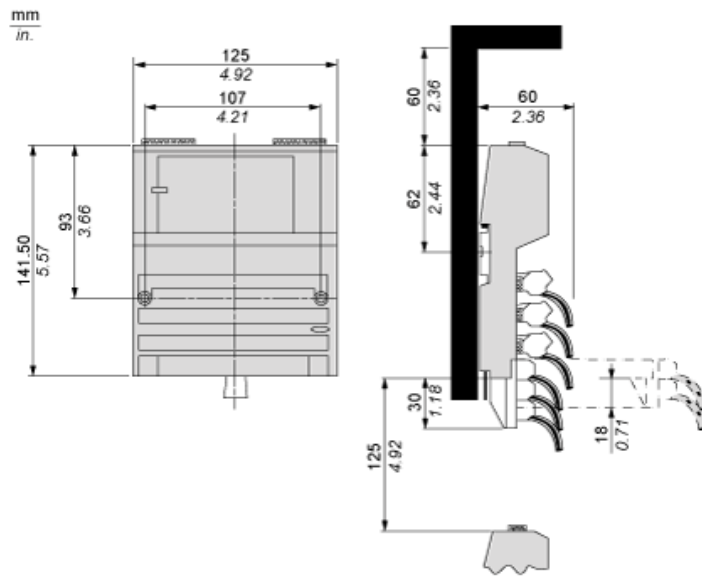
Sustainable offer status	Green Premium product
RoHS (date code: YYWW)	Compliant - since 1350 - Schneider Electric declaration of conformity Schneider Electric declaration of conformity
REACH	Reference not containing SVHC above the threshold Reference not containing SVHC above the threshold
Product environmental profile	Available Product environmental
Product end of life instructions	Available End of life manual

Contractual warranty

Warranty period	18 months
-----------------	-----------

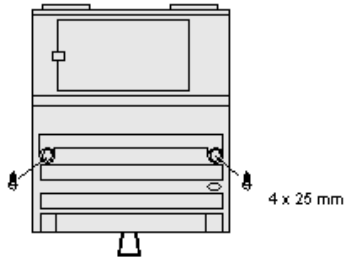
Standard Adapter on a Typical Base

Dimensions



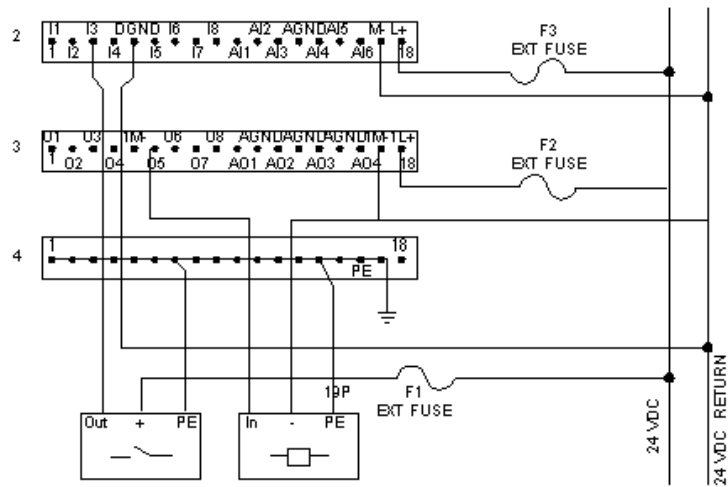
170ANR12090

Mounting on a Wall



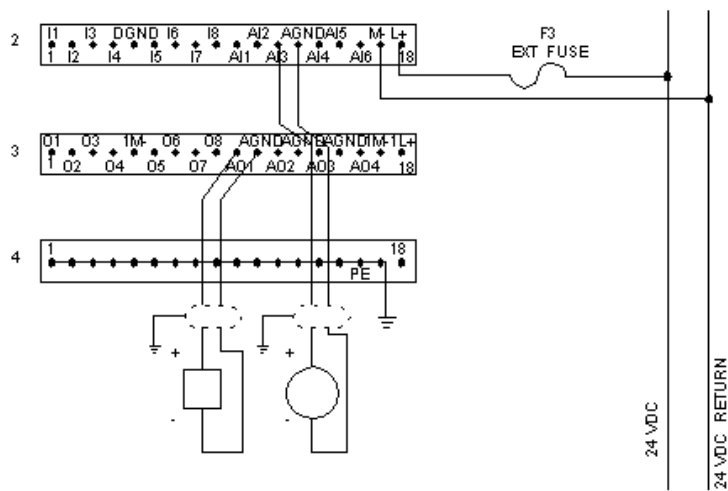
External Wiring Diagrams

Discrete I/O Devices



F1, F3 1 A fuse
F2 2.5 A fuse

Analog I/O Devices

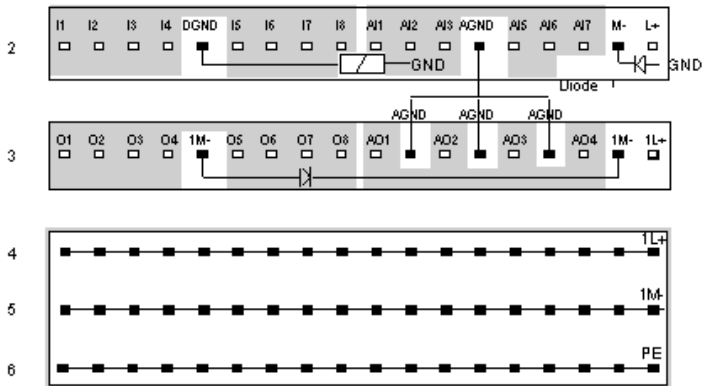


F3 1 A fuse

170ANR12090

Internal Pin Connections

Rows 2 and 3 show the internal connections between terminals on the I/O base. Rows 4 through 6 show the internal connections on the optional busbar.



NOTE: AGND and DGND are separated inside the module. External digital inputs must be returned to the DGND terminal. External analog circuits must be returned to AGND terminals.