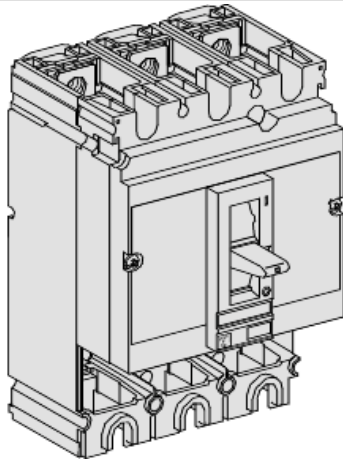


# 31411

circuit breaker Compact NS250 SX - 250 A - 4 poles - fixed - without trip unit



## Main

Range	Compact
Range of product	NS100...250
Product name	Compact NS
Product or component type	Basic frame
Device short name	Compact NS250SX
Circuit breaker name	Compact NS250SX
Poles description	4P
Neutral position	Left
Network type	DC AC
Network frequency	50/60 Hz
Control type	Toggle
[In] rated current	220 A ( 65 °C ) 250 A ( 40 °C )
[Ui] rated insulation voltage	750 V AC 50/60 Hz conforming to IEC 60947-2
[Uimp] rated impulse withstand voltage	8 kV conforming to IEC 60947-2
[Ue] rated operational voltage	690 V AC 50/60 Hz conforming to IEC 60947-2 750 V DC conforming to IEC 60947-2
Breaking capacity code	SX
Breaking capacity	18 kA at 600 V AC 50/60 Hz conforming to UL 508 20 kA at 600 V AC 50/60 Hz conforming to NEMA AB1 HIC 50 kA at 480 V AC 50/60 Hz conforming to NEMA AB1 HIC 50 kA at 480 V AC 50/60 Hz conforming to UL 508 85 kA at 240 V AC 50/60 Hz conforming to UL 508 90 kA at 240 V AC 50/60 Hz conforming to NEMA AB1 HIC Icu 10 kA at 660/690 V AC 50/60 Hz conforming to IEC 60947-2 Icu 35 kA at 525 V AC 50/60 Hz conforming to IEC 60947-2 Icu 36 kA at 500 V AC 50/60 Hz conforming to IEC 60947-2 Icu 50 kA at 380/415 V AC 50/60 Hz conforming to IEC 60947-2 Icu 50 kA at 440 V AC 50/60 Hz conforming to IEC 60947-2 Icu 90 kA at 220/240 V AC 50/60 Hz conforming to IEC 60947-2
[Ics] rated service breaking capacity	Ics 10 kA 660/690 V AC 50/60 Hz conforming to IEC 60947-2 Ics 35 kA 525 V AC 50/60 Hz conforming to IEC 60947-2 Ics 36 kA 500 V AC 50/60 Hz conforming to IEC 60947-2 Ics 50 kA 380/415 V AC 50/60 Hz conforming to IEC 60947-2 Ics 50 kA 440 V AC 50/60 Hz conforming to IEC 60947-2 Ics 90 kA 220/240 V AC 50/60 Hz conforming to IEC 60947-2

Disclaimer: This documentation is not intended as a substitute for and is not to be used for determining suitability or reliability of these products for specific user applications

Suitability for isolation	Yes conforming to IEC 60947-2
Utilisation category	Category A
Pollution degree	3 conforming to IEC 60947

### Complementary

Mounting mode	Fixed
Mounting support	Backplate
Upside connection	Front
Downside connection	Front
Protection type	Without protection
Mechanical durability	20000 cycles conforming to IEC 60947-2
Electrical durability	10000 cycles 440 V AC 50/60 Hz In conforming to IEC 60947-2 20000 cycles 440 V AC 50/60 Hz In/2 conforming to IEC 60947-2
Connection pitch	35 mm
Height	161 mm
Width	140 mm
Depth	86 mm
Compatibility code	NS250

### Environment

Standards	IEC 60947-2
Product certifications	KEMA ASEFA LCIE ASTA
IP degree of protection	IP40 conforming to IEC 60529
IK degree of protection	IK07 conforming to EN 50102
Ambient air temperature for operation	-25...70 °C
Ambient air temperature for storage	-50...85 °C

### Contractual warranty

Warranty period	18 months
-----------------	-----------

Product Life Status

END-OF-SALE NOTICE