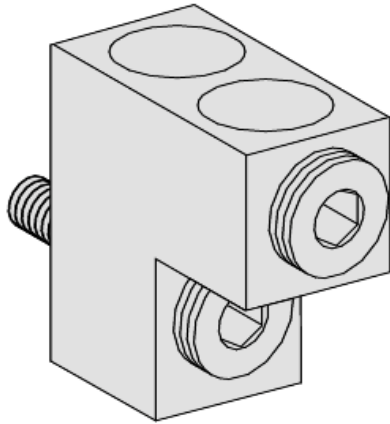


Product data sheet

Characteristics

32482

4 connector 2 x 35..240mm² and 3 phase separators - for NS400..630



Main

Range of product	INV320...630 INS320...630 NS400...630 NS400...630 DC NB400...600 NR400...630 INSJ400
Range	Compact
Device short name	Bare cable connectors
Product or component type	Connector
Accessory / separate part category	Connection accessory
Range compatibility	Compact - Compact NR Compact - Compact NS Compact - Compact NB Compact - Compact INV Compact - Compact INS Compact - Compact INSJ
Quantity per set	Set of 4

Complementary

[In] rated current	0...630 A
--------------------	-----------

Contractual warranty

Warranty period	18 months
-----------------	-----------

32482