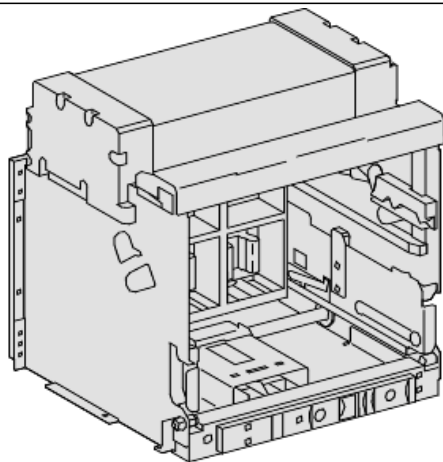


Product data sheet

Characteristics

48406

chassis for drawout NW2500 -
H1,H10,H2,H3,HA,HA10,HF - 4 poles - 2500 A



Main

Range of product	Masterpact NW
Range	Masterpact
Product or component type	Chassis
Accessory / separate part category	Mounting accessory
Range compatibility	Masterpact - Masterpact NW
Circuit breaker name	Masterpact NW20H3 Masterpact NW25H1 Masterpact NW25H10 Masterpact NW25H2 Masterpact NW25H3 Masterpact NW25HA Masterpact NW25HA10 Masterpact NW25HF
Poles description	4P
Breaking capacity code	H1 H10 H2 H3 HA HA10 HF

Complementary

Mounting mode	Fixed
[In] rated current	2000 A (40 °C) 2500 A (40 °C)

Contractual warranty

Warranty period	18 months
-----------------	-----------

48406