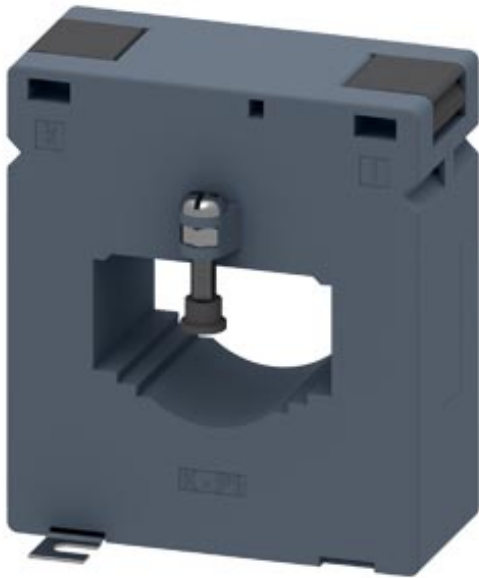


current transformer 2000/1 A 12.5 VA CL 1.0



| Model | |
|--|-----------------------------------|
| Product brand name | SETRON |
| Product designation | Current transformer |
| Design of the product | Bushing-type current transformers |
| Operating apparent output / rated value | 12.5 V·A |
| Protection class | |
| Protection class IP | IP20 |
| <ul style="list-style-type: none"> • Ratio of input current/output current • Current / at output / rated value • Current / at input / rated value | 2000/1 1 A 2 000 A |
| Accuracy class / of the current transformer | class 1 |
| Product feature / Touch protection | Yes |
| Connections | |
| Type of electrical connection / at output | screw-type terminals |
| Mechanical Design | |
| Height | 127.5 mm |
| Height of the opening | 36 mm |
| Width | 112 mm |

| | |
|---|--------------|
| Width | |
| <ul style="list-style-type: none"> • of the push-through bus bar / at 1 bus bar / maximum | 64 mm |
| <ul style="list-style-type: none"> • of the push-through bus bar / in case of 2 bus bars / maximum | 51 mm |
| <ul style="list-style-type: none"> • of the push-through bus bar / in case of 3 bus bars / maximum | 64 mm |
| Depth | 77 mm |
| Mounting type | screw fixing |
| Outer diameter / of the push-through conductor / maximum | 41 mm |
| Net weight | 1 105 g |

Environmental conditions

| | |
|--|--------|
| Ambient temperature | |
| <ul style="list-style-type: none"> • during operation / minimum | -30 °C |
| <ul style="list-style-type: none"> • during operation / maximum | 55 °C |

Certificates

| | |
|---|---|
| Reference code / acc. to DIN EN 61346-2 | T |
|---|---|

Declaration of Conformity



EG-Konf.

Further information

Information- and Downloadcenter (Catalogs, Brochures,...)

<http://www.siemens.com/lowvoltage/catalogs>

Industry Mall (Online ordering system)

<https://mall.industry.siemens.com/mall/en/en/Catalog/product?mlfb=4NC5438-0CJ21>

Service&Support (Manuals, Certificates, Characteristics, FAQs,...)

<https://support.industry.siemens.com/cs/ww/en/ps/4NC5438-0CJ21>

Image database (product images, 2D dimension drawings, 3D models, device circuit diagrams, ...)

http://www.automation.siemens.com/bilddb/cax_en.aspx?mlfb=4NC5438-0CJ21

CAX-Online-Generator

<http://www.siemens.com/cax>

Tender specifications

<http://www.siemens.com/specifications>

