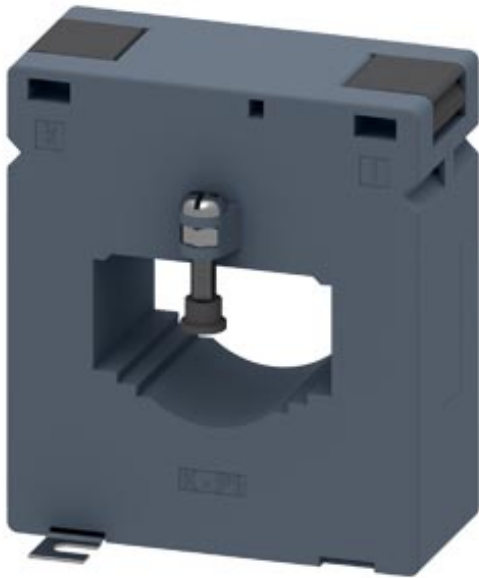


current transformer 2500/1 A 12.5 VA CL 1.0



Model	
Product brand name	SETRON
Product designation	Current transformer
Design of the product	Bushing-type current transformers
Operating apparent output / rated value	12.5 V·A
Protection class	
Protection class IP	IP20
<ul style="list-style-type: none"> <li>• Ratio of input current/output current</li> </ul>	2500/1
<ul style="list-style-type: none"> <li>• Current / at output / rated value</li> </ul>	1 A
<ul style="list-style-type: none"> <li>• Current / at input / rated value</li> </ul>	2 500 A
Accuracy class / of the current transformer	class 1
Product feature / Touch protection	Yes
Connections	
Type of electrical connection / at output	screw-type terminals
Mechanical Design	
Height	127.5 mm
Height of the opening	36 mm
Width	112 mm

Width	
<ul style="list-style-type: none"> <li>• of the push-through bus bar / at 1 bus bar / maximum</li> </ul>	64 mm
<ul style="list-style-type: none"> <li>• of the push-through bus bar / in case of 2 bus bars / maximum</li> </ul>	51 mm
<ul style="list-style-type: none"> <li>• of the push-through bus bar / in case of 3 bus bars / maximum</li> </ul>	64 mm
Depth	77 mm
Mounting type	screw fixing
Outer diameter / of the push-through conductor / maximum	41 mm
Net weight	1 039 g

#### Environmental conditions

Ambient temperature	
<ul style="list-style-type: none"> <li>• during operation / minimum</li> </ul>	-30 °C
<ul style="list-style-type: none"> <li>• during operation / maximum</li> </ul>	55 °C

#### Certificates

Reference code / acc. to DIN EN 61346-2	T
---	---

#### Declaration of Conformity



#### Further information

##### Information- and Downloadcenter (Catalogs, Brochures,...)

<http://www.siemens.com/lowvoltage/catalogs>

##### Industry Mall (Online ordering system)

<https://mall.industry.siemens.com/mall/en/en/Catalog/product?mlfb=4NC5440-0CJ21>

##### Service&Support (Manuals, Certificates, Characteristics, FAQs,...)

<https://support.industry.siemens.com/cs/ww/en/ps/4NC5440-0CJ21>

##### Image database (product images, 2D dimension drawings, 3D models, device circuit diagrams, ...)

[http://www.automation.siemens.com/bilddb/cax\\_en.aspx?mlfb=4NC5440-0CJ21](http://www.automation.siemens.com/bilddb/cax_en.aspx?mlfb=4NC5440-0CJ21)

##### CAX-Online-Generator

<http://www.siemens.com/cax>

##### Tender specifications

<http://www.siemens.com/specifications>

