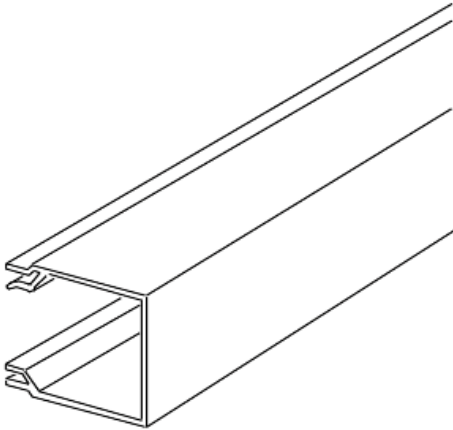


Product data sheet

Characteristics

5320210

Thorsman - TRL-D7640 P - pipe trunking - PVC - white - 2.5 m



Main

Range of product	Thorsman
Product name	Thorsman TRL
Product or component type	Pipe trunking
Cabling installation system	Pipe trunking
Colour tint	White NCS 0401-Y62R
Quantity per set	25 m

Complementary

Trunking material	Plastic
Trunking dimension	76 x 40 mm
Compartment partitioning	1 compartment
Fixing mode	Snap-fitted By clamp extra security
Material	PVC (polyvinyl chloride)
Length	2500 mm
Height	76 mm
Width	40 mm

Environment

Ambient air temperature for operation	-20...60 °C
---------------------------------------	-------------

Contractual warranty

Warranty period	18 months
-----------------	-----------

5320210