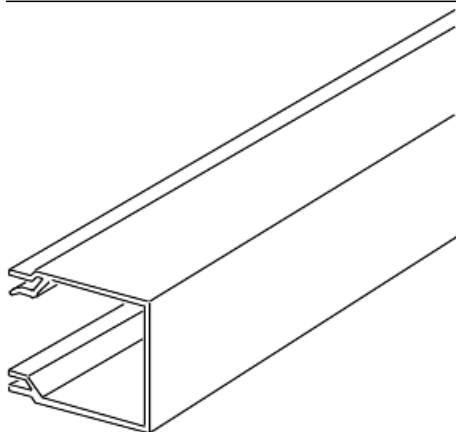


Product data sheet

Characteristics

5321210

Thorsman - TRL-D7640 A - pipe trunking - aluminium - natural - 2.5 m



Main

Range of product	Thorsman
Product name	Thorsman TRL
Product or component type	Pipe trunking
Cabling installation system	Pipe trunking
Colour tint	Natural
Quantity per set	Set of 10

Complementary

Trunking material	Aluminium
Trunking dimension	76 x 40 mm
Compartment partitioning	1 compartment
Fixing mode	Snap-fitted By clamp extra security
Surface finish	Anodised
Material	Aluminium
Length	2500 mm
Height	76 mm
Width	40 mm

Environment

Ambient air temperature for operation	-20...60 °C
Environmental characteristic	Halogen free

Contractual warranty

Warranty period	18 months
-----------------	-----------

5321210