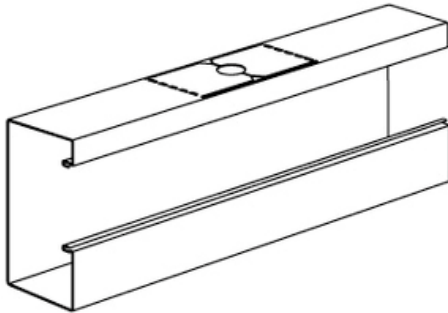


Product data sheet

Characteristics

5504002

Thorsman - INKA-U101 - trunking base - 72 mm - powder coated - 2.5 m



Main

Range of product	Thorsman
Product name	Thorsman INKA
Product or component type	Installation trunking
Cabling installation system	Trunking
Colour tint	Optional
Quantity per set	10 m

Complementary

Compartment partitioning	1 compartment
Trunking dimension	101 x 72 mm
Trunking material	Aluminium
Front opening size	80 mm
Fixing mode	By brackets By screws
Material	Aluminium powder coated
Length	2500 mm
Height	101 mm
Width	72 mm

Environment

Directives	93/68/EEC - low voltage directive 73/23/EEC - low voltage directive
Standards	EN 50085-1
Ambient air temperature for operation	-20...60 °C
IP degree of protection	IP20

Contractual warranty

Warranty period	18 months
-----------------	-----------

5504002