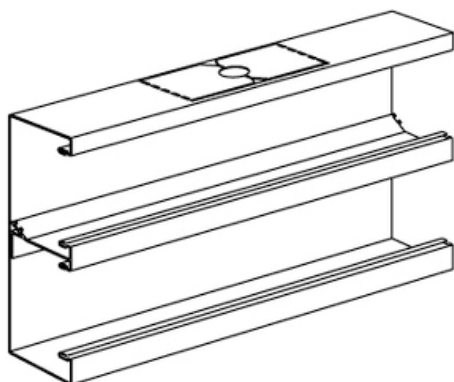


Product data sheet

Characteristics

5590312

Thorsman - TTI-KH72 A - cable shelf single - 0.5m - aluminium - natural



Main

Range of product	Thorsman
Product name	Thorsman TTI
Product or component type	Single shelf
Cabling installation system	Trunking
Range compatibility	INKA
Colour tint	Natural
Quantity per set	Set of 50

Complementary

Trunking material	Plastic Aluminium
Trunking dimension	217 x 72 mm 101 x 72 mm 161 x 72 mm 123 x 72 mm
Fixing mode	Snap-fitted
Material	Aluminium anodized
Length	500 mm
Height	12 mm
Width	62 mm

Contractual warranty

Warranty period	18 months
-----------------	-----------

Not classified OPS characteristics

Market segment	Small commercial
----------------	------------------

5590312