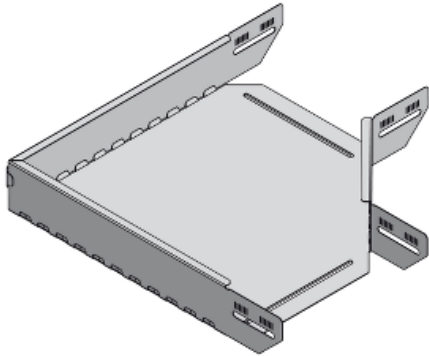


Product data sheet

Characteristics

CSU31064002

Stago - horizontal bend 90° flat 110x400mm pre-galvanized



Main

Range of product	Stago
Product or component type	Bend

Complementary

Operating angle	90 °
Direction change type	Horizontal
Inner radius	100 mm
Adjustment	Foldable
Product destination	KB184 cable tray 110 mm height and 400 mm width
Fixing mode	By screw
Material	Steel, pre-galvanized
Atmospheric-corrosivity category	C2
Product weight	2.594 kg

Environment

Environmental characteristic	For partly outdoor environment with low exposure to corrosion, such as ware-houses and parking garages
------------------------------	--

Offer Sustainability

RoHS (date code: YYWW)	Compliant - since 1101 - Schneider Electric declaration of conformity Schneider Electric declaration of conformity
REACH	Reference not containing SVHC above the threshold Reference not containing SVHC above the threshold
Product end of life instructions	Need no specific recycling operations

CSU31064002