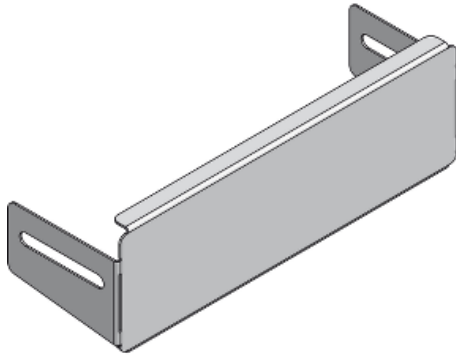


Product data sheet

Characteristics

CSU361830124

Stago - stop end - 60x300 mm - 1 mm - steel - hot-dip galvanized



Main

Range of product	Stago
Product or component type	Stop end

Complementary

Adjustment	Fixed
Mounting mode	Push-in
Product destination	Cable tray TV184 height 60 mm width 300 mm
Fixing mode	By screw
Material	Steel with hot-dip galvanized
Height	11 mm
Width	303 mm
Depth	66 mm

Environment

Atmospheric-corrosivity category	C3/C4
Environmental characteristic	Area with high level of environmental corrosion, humidity and airborne pollution industrial and coastal areas, chemical plants
Product weight	0.316 kg set of 1

Offer Sustainability

RoHS (date code: YYWW)	Compliant - since 1101 - Schneider Electric declaration of conformity Schneider Electric declaration of conformity
REACH	Reference not containing SVHC above the threshold Reference not containing SVHC above the threshold
Product end of life instructions	Need no specific recycling operations

CSU361830124