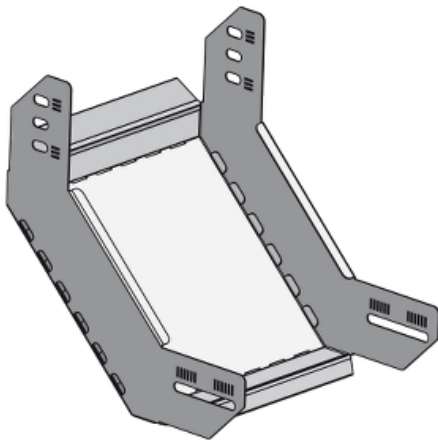


Product data sheet

Characteristics

CSU36232502

Stago - internal riser flat - 60x250 mm - steel - pre-galvanized



Main

Range of product	Stago
Range	Stago
Product or component type	Riser
Device application	Cable management

Complementary

Operating angle	90 °
Direction change type	Vertical
Inner radius	180 mm
Adjustment	Foldable
Shape	Bended
Product destination	KG281 cable tray 60 mm height and 250 mm width KB184 cable tray 60 mm height and 250 mm width KB284 cable tray 60 mm height and 250 mm width
Fixing mode	Screwless
Material	Steel, pre-galvanized
Atmospheric-corrosivity category	C2
Thickness	1 mm
Height	14 mm
Width	467 mm
Depth	270 mm
Product weight	0.581 kg / set of 1

Environment

Environmental characteristic	For partly outdoor environment with low exposure to corrosion, such as ware-houses and parking garages
------------------------------	--

Offer Sustainability

RoHS (date code: YYWW)	Compliant - since 1101 - Schneider Electric declaration of conformity Schneider Electric declaration of conformity
REACH	Reference not containing SVHC above the threshold

Reference not containing SVHC above the threshold

Product end of life instructions

Need no specific recycling operations
